

SC 2500 MAXI DROP

RETRACTABLE SCREEN



FOR LARGE WINDOWS OR PORCHES

The SC2500 Maxi Drop screen is designed for residential and commercial applications typically wider than 10 ft. The system utilizes the same roller tube as our Maxi awning systems, and the same Hem bar as our SC3000 Mastershade® system. Either the standard track or cable guides keeps the Hem bar stable. Manual gear operation is standard, while hood and motors are optional.

The Maxi screen is easily attached to new or existing wall structures such as brick or block without special installation requirements. The brackets can also be ceiling mounted without a hood. The bolts in a siding or wood installation should be fastened into solid studs or headers. Large toggle bolts can be used if studs can't be utilized.

Awning Style	Type	Standard Frame Colors	Standard Widths	Standard Heights	Recommend Application	Recommend Fabrics to Use
	SC2500 Maxi Drop Large Screen	White, Desert Ivory, Mocha, Brown, Grey, Taupe, Forest Green	Through 20' Wider w/Splits	4' – 16' High	Interior & Exterior Large Windows, Porches, Restaurants	Mermet, Soltis, Para, Sunbrella, Dickson,

MEASURING:

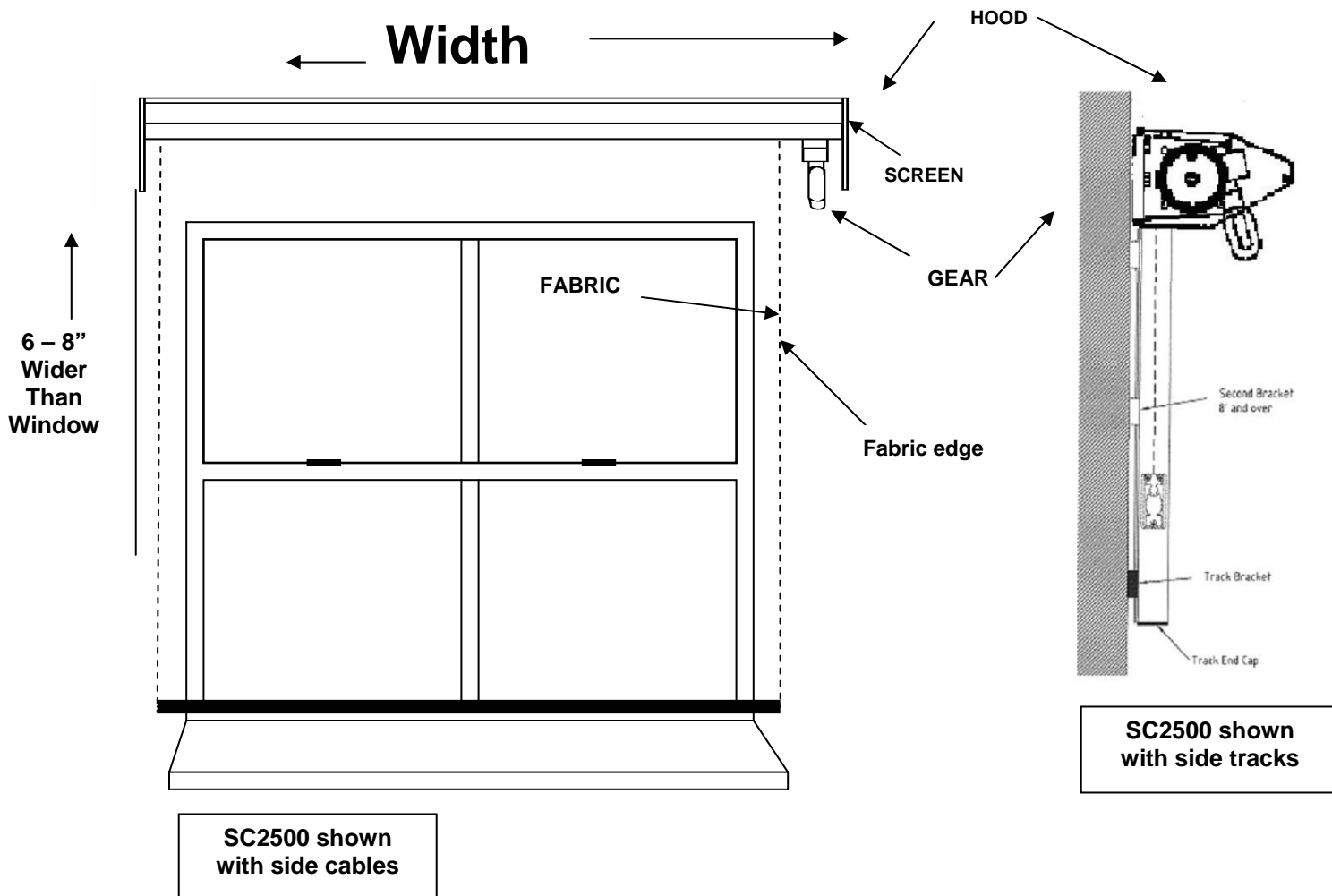
WIDTH:

The width ordered is the measurement from one end of the bracket to the other end of bracket. If using standard Track or Guide cables, they will also be flush with the end of the Maxi bracket. The standard track used is 1 1/8" wide on each side of the unit. If your tracks or cables have to be installed at a certain predetermined spot, your width has to be adjusted accordingly. You may have to verify that the bracket can be installed and bolted to the wall properly. Make sure you take into account that the actual fabric width is always 3" - 4" less than the screen width ordered (see sketch on back), and the optional hood is always 1" longer than the unit width if ordered.

HEIGHT:

When measuring the height of the shade take the view from the window into consideration. When the drop curtain is retracted or extended down, the view should not be obstructed by the roller tube or Hem bar. The roller assembly should be above the window, and the hem bar should be below. Add 5" for the roller assembly, and 2" for the Hem bar to the height of the window or opening if possible. This dimension becomes the height.

For further information please read the installation manual.



SUNAIR® AWNINGS & SCREENS
©2008 AWNINGS UNLIMITED INC.
P.O. Box 1068 7785 Rt. 175,
Jessup, MD 20794

JESSUP, MD 800 - 548 - 0408
PHOENIX, AZ 877 - 272 - 3920

SC2500 Maxi Drop

Retractable solar screen systems



The SC2500 Maxi Drop screen is made of the highest quality materials. It is operated with a standard hand crank or a convenient motor. Automatic and remote control features can be added for extra ease of operation.



Maxi Drop screen shown with a manual crank and guide wire (Hood optional)



Hem bar shown w/ guide cables

FEATURES:

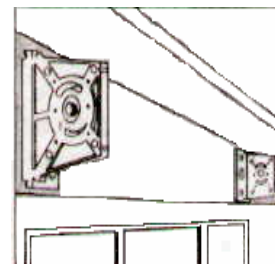
- Reduced Cooling costs
- Filter or block sunlight & glare
- Motorized with remote control available
- Hundreds of fabric and mesh colors
- Seven standard frame colors
- Custom frame colors available



SC2500 MAXI DROP SCREEN

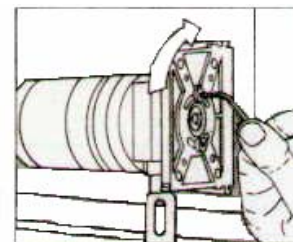
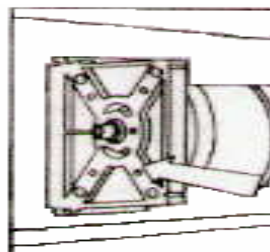
INSTALLATION STEPS

Attach the end brackets to the screen and measure the distance from end of bracket to end of bracket. The distance should indicate the spacing on the wall. To prevent the screen from unfolding while handling secure a strap around the middle. Bolt both brackets to the wall or ceiling as seen on the right. Make sure both brackets are even and level with each other. **Note: If a hood is configured, you must follow the steps below for hood installation prior to tightening the bracket bolts to the wall.**



Lift the roller assembly and place the round “pin” gudgeon through the idler end bracket first. Place the gear or motor against the bracket and attach it with the bolts supplied.

Note: Make sure that the fabric rolls off the back of the tube (See picture at bottom left).

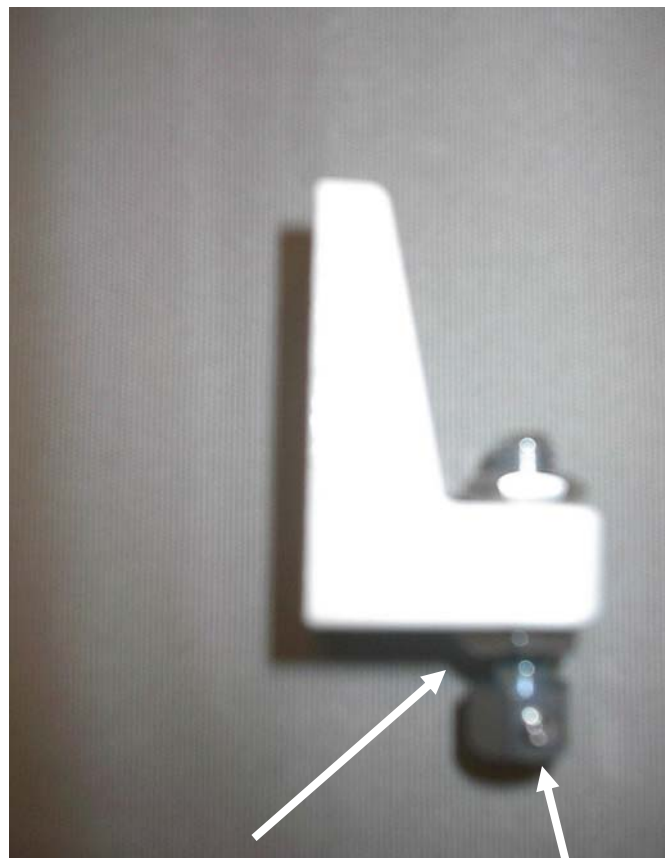


Now you are ready to attach either the standard tracks or cable guides.

GUIDE CABLES:

The cables should already be attached to the Maxi brackets. Lower the shade and run it up and down a few times. Once the fabric is rolling correctly, lower the shade to about 6” off the bottom, and insert cables into the cable guides. Attach the cable tensioning bracket shown to the right, and tighten the cable on the bracket with the set screw. Hold the bracket in proper position with the cable guide/cable, and mark on the wall the proper bracket position. Attach the bracket to the wall. Then use a wrench, and turn the bottom nut on the cable bracket “Counter clockwise” to tighten the cable. Cut the cable with a cable cutting tool, with a small amount of cable showing for any adjustment.

Cable Tensioning Bracket

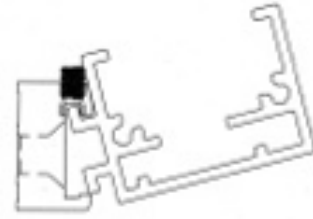
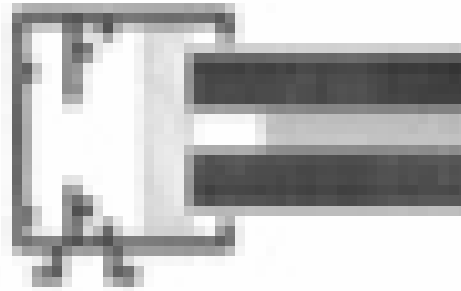
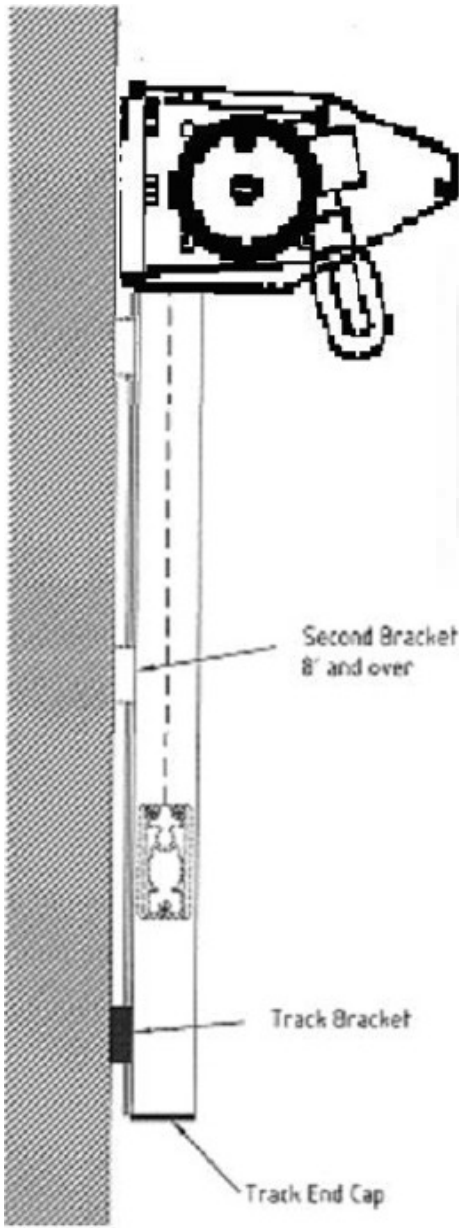


Turn nut counter clockwise to tension the cable.

Set screw to tighten cable

STANDARD TRACK:

If using standard track, mount each bracket even with the outside edge of the Maxi bracket. Mount the first bracket 3" from the bottom of the Maxi bracket, and the bottom brackets 3" up from the bottom of the shade. Mount any extra brackets in the middle for shades above 8' high.



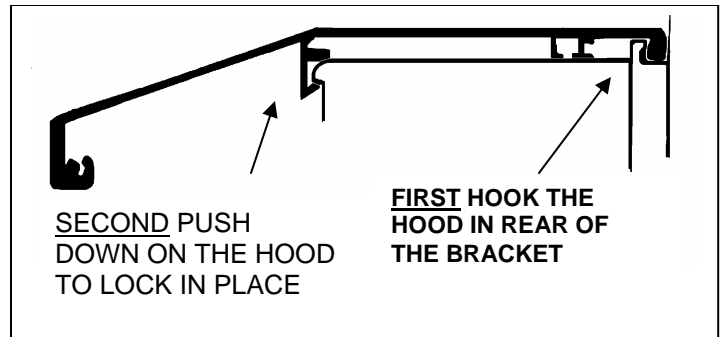
Top View

PUSH

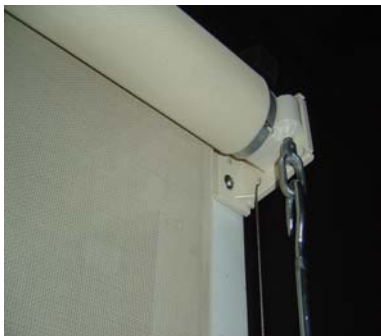
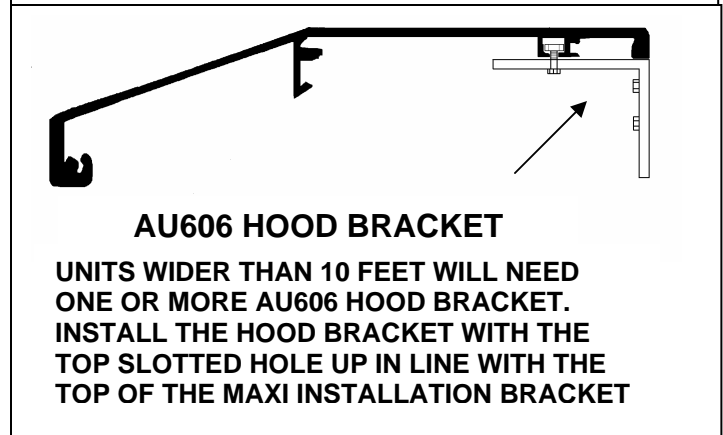
Insert the track like this before pushing the track into the brackets. Tighten the set screw to lock the track in place. If needed loosen the screw first

Note:
attach track end caps first before attaching tracks to track brackets

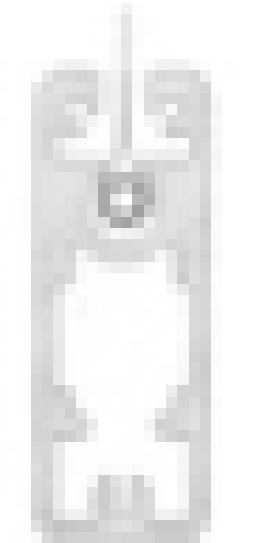
Attaching the Hood and Hood brackets



SECOND PUSH DOWN ON THE HOOD TO LOCK IN PLACE



Fabric must roll off the back



Hem Bar



SUNAIR® AWNINGS & SCREENS
©2008 AWNINGS UNLIMITED INC.

P.O. Box 1068 7785 Rt. 175,
Jessup, MD 20794

JESSUP, MD 800 - 548 - 0408
PHOENIX, AZ 877 - 272 - 3920

Rev. 02/22/2008