



Pergola®

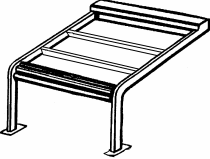
Retractable Patio & Deck Awnings



PRODUCT FEATURES:

- Protects against sun, rain, and inclement weather
- Keeps deck and patio cool
- Can cover small to large patio areas
- Great for Restaurant dining areas
- Motorization standard
- Hundreds of fabric colors to choose from
- Seven standard frame colors
- Custom frame colors available

Pergola® offers the convenience of a retractable awning, yet the comfort and durability of a stationary awning. Now you can utilize your patio area during fierce mid day sun and inclement weather. The Pergola® is great for Large Restaurant and residential patio areas. Larger areas can be covered by coupling units together.

Awning Style	Type	Standard Frame Colors	Standard Widths	Standard Projections	Recommend Application	Recommend Fabrics to Use
	Pergola Large Patio System	White, Desert Ivory, Mocha, Brown, Grey, Taupe, Forest Green	Through 16' per section	10', 12', 14', 16', 18', 20'	Restaurants, Large Residential Patios	Para, Sunbrella, Dickson, & Weblon/CP

1. General

The Pergola® terrace awning is designed for restaurants, cafes, and large residential terraces. The PERGOLA® system is permanent sun-shading system with a retractable fabric. The Pergola® opens and closes by means of a tubular motor. A spring/cable system built into the profiles ensures that the fabric is always sufficiently taut, both when moving as well as stationary. With sufficient angle or slope on the fabric (15 degrees or 3/12 pitch), the awning can also be used as protection against moderate rainfall. Multiple units can be added together for wider widths.

2. The fabric (Two types of fabric are used)

Acrylic fabric such as Para, Sunbrella, and Dickson is available. The fabric resists mold and rotting, with water-resistant and dirt repelling qualities. It is available in a variety of colors (solids and stripes). Sunbrella Firesist & Sunbrella Plus is also available as an upgrade.

Vinyl fabric such as Weblon Coastline plus is available. This vinyl laminated fabric Offers water resistance and is certified for flame resistance. The fabric is available in solids and stripes, and seams are heat sealed rather than sewn.

3. The side guides

The side guide extrusions are manufactured from thick-walled powder coated extruded aluminum. The awning can therefore be manufactured with projections of up to 6 meters or 20 ft. .

4. The box

The fabric is concealed in an aluminum box. The measurements of the box are 225 x 285mm. The box is closed all around and provides complete protection for the fabric. Attachment to the wall is provided by two brackets at each end of the box cassette. The brackets are hinged, and the box can be installed at any angle as required. The maximal width of each section or box is 16 ft.

5. Cable and spring

To extend the fabric, the system uses a rustproof 2.5mm cable with sufficient pulling power. The cable has no points of friction whatsoever and runs over nylon wheels.

The heavy duty spring provides permanent tautness for the fabric. The spring is concealed within the front bar. With large fabric surface areas, two springs can be used to ensure the tautness of the fabric.

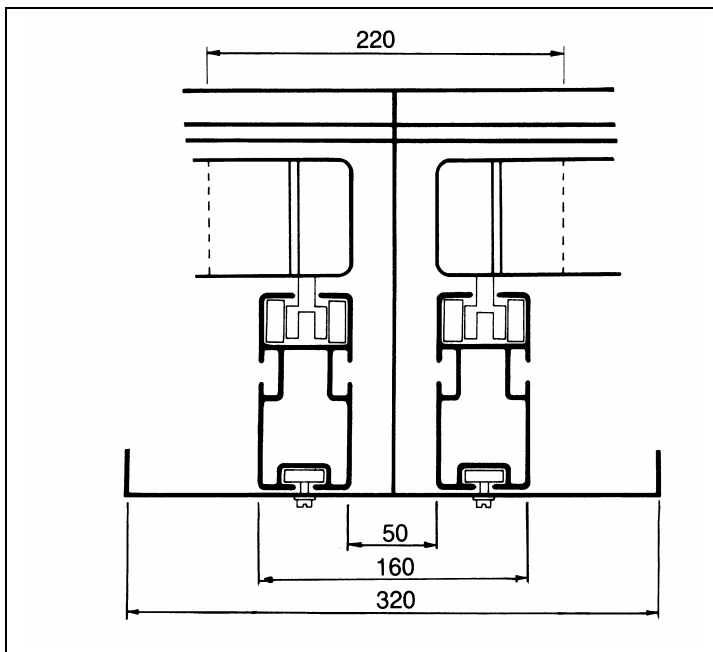
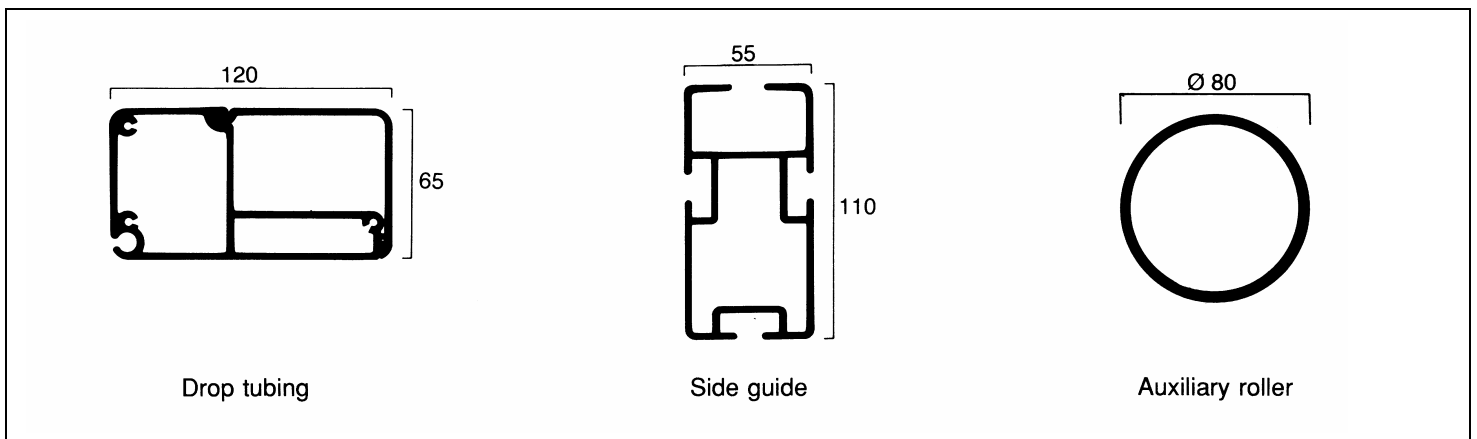
6. Motor

The Pergola® is operated by a 110v tubular electric motor. Somfy motors and controls are used. A 660 or 680R2 Standard or RTS Somfy motor is used as needed. CMO motor is not available.

7. Guttering profile

To avoid water leakage between sections, a supplementary guttering profile can be added on the underside of the side guide profiles (See sketch below).

The central guttering has a width of 320mm and protruding edges of 20mm.

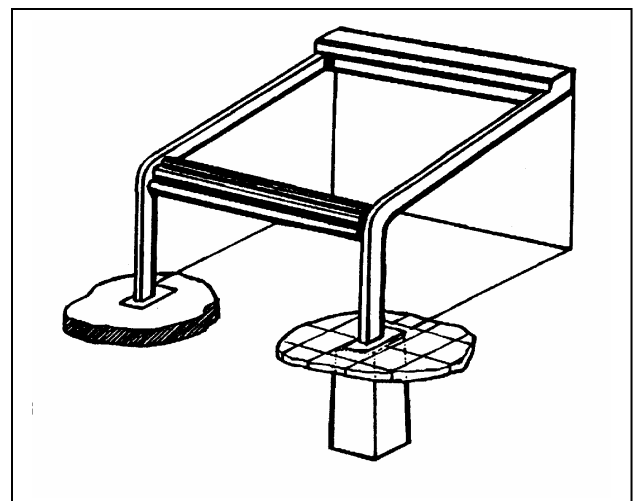


TWO SYSTEMS SHOWN
WITH GUTTER

Note:

This product requires training at the Sunair facility in Jessup, MD

Further information is available.



©2008 AWNINGS UNLIMITED INC.
P.O. Box 1068 7785 Rt. 175,
Jessup, MD 20794

JESSUP, MD 800 – 548 – 0408



End

End

NOTE: Mark an X on the drawing on the side the motor should be

NOTE:
The finished width of all Pergola™ awnings are end of cassette to end of cassette.

Signed By:
NAME: _____

X _____

PERGOLA® WORK SHEET # _____ of _____

ORDER # _____ DATE: _____

CUSTOMER _____

CONTACT _____

SUNAIR® AWNINGS & SCREENS
©2008 AWNINGS UNLIMITED INC.
P.O. Box 1068 7785 Rt. 175,
Jessup, MD 20794

JESSUP, MD 800 – 548 – 0408

VIEW: TOP VIEW / SCALE NONE



Baltimore	(410) 799-1145
Jessup, Toll Free	(800) 548-0408
Fax Order	(410) 799-5584
Phoenix	(877) 272-3920

www.sunairawnings.com

info@sunairawnings.com

**SUNAIR® Awnings reserves the right
to change engineering and policies without notice.**

©2008 Sunair® Awnings & Screens