

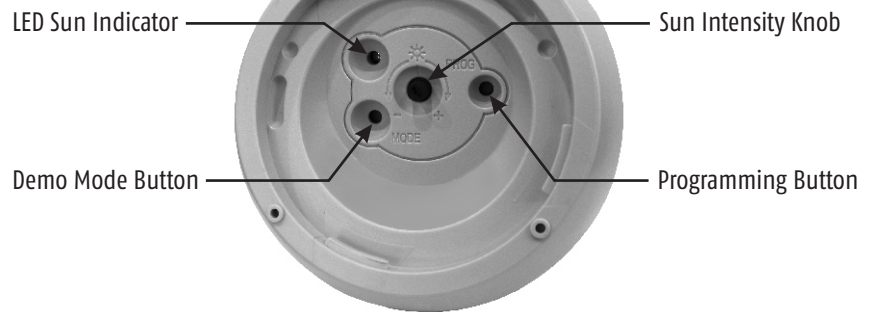
Sunis WireFree™ RTS Sun Sensor

Quick Reference Guide

Front View



Back View



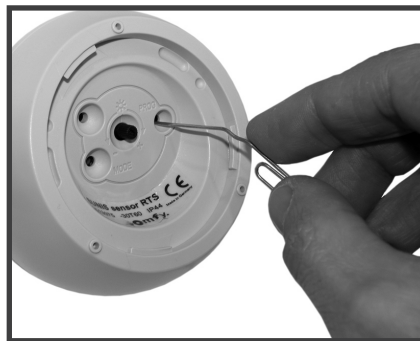
- 1 Place Sunis in a sunny area to charge for 10 minutes.



- 2 Completely retract the awning. Then press the programming button on the back of the original remote using a paperclip until the awning jogs.



- 3 Press the programming button on the back of the Sunis until the awning jogs.



- 4 Turn intensity knob on the Sunis completely counter clockwise and allow direct sunlight to shine on the front for 2 minutes.



- 5 The awning should extend. Make adjustments to the sensitivity and mount it in the path of direct sunlight.

SOMFY SYSTEMS, INC.
North America Headquarters
47 Commerce Drive
Cranbury, NJ 08512
Phone: US: 1-800-22-SOMFY
NJ: (609) 395-1300
Fax: (609) 395-1776

FLORIDA
6100 Broken Sound Pkwy. N.W.,
Suite 14
Boca Raton, FL 33487
Phone: (877) 227-6639
Fax: (561) 995-7502

CALIFORNIA
520 West Central Ave., Suite A
Brea, CA 92821
Phone: (877) 727-6639
Fax: (714) 255-1278

somfy