

# Model: BRERA S Retractable Louvered Pergola®

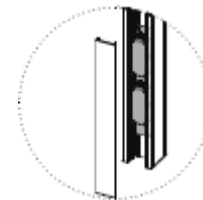
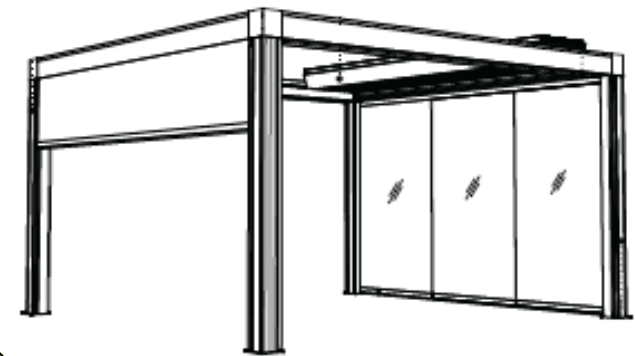
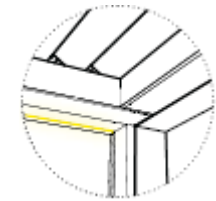
Revised 02/16/2023



Application	Maximum Width	Maximum Projection	Options
Free Standing or Wall Mounted Commercial & Residential	3.5 m - 4.5 m 11' 6" - 14' 10" Depending on Louver version	6.00 m 19'9 " proj. Depending on version	LEDS, Heaters, Set Flooring Slide Glass

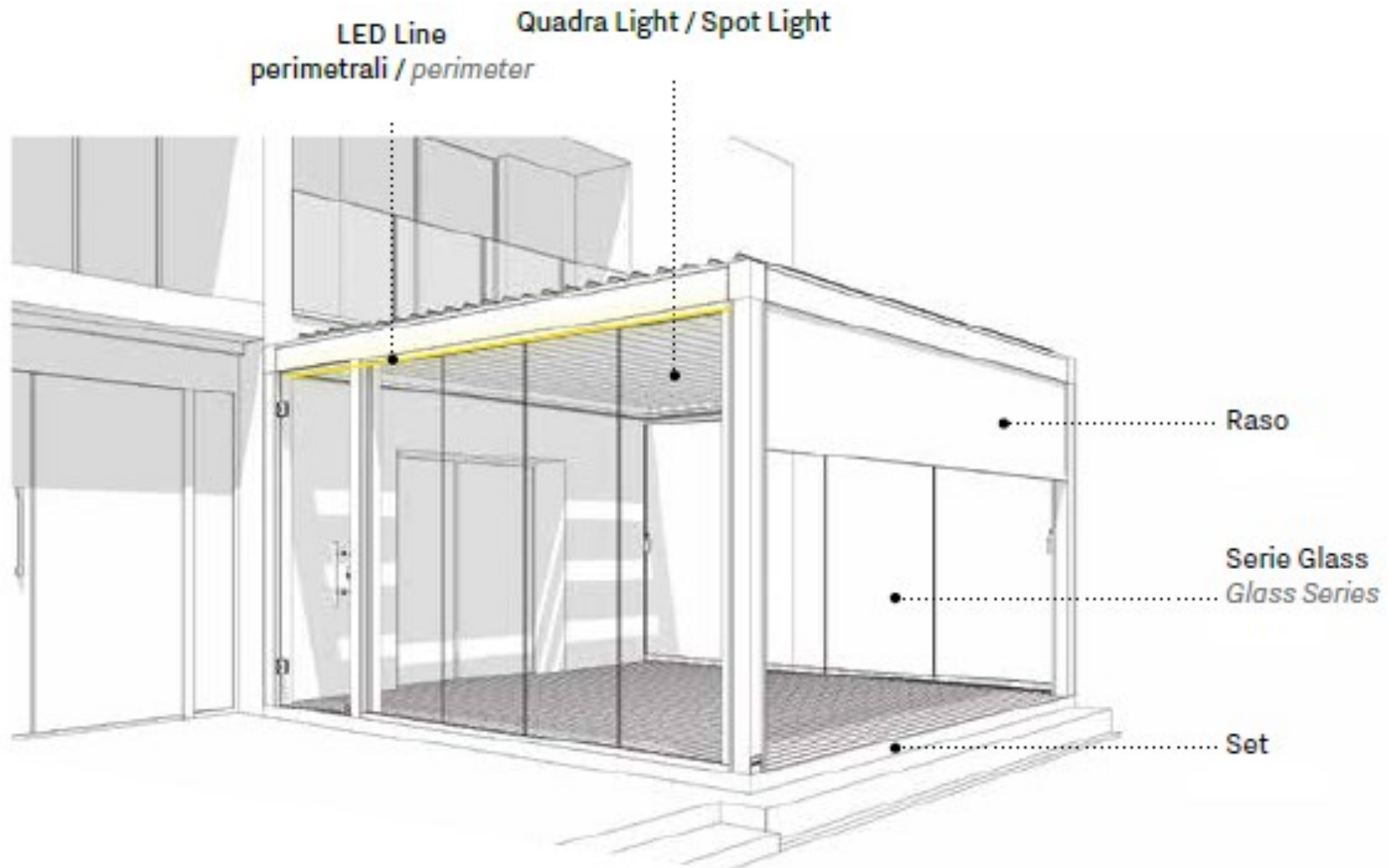
## PRODUCT FEATURES:

- Motorized Louvered roof pergola.
- Fully Retractable Louver / blades
- Ideal for free standing or wall mounted applications.
- Internal gutter and downspouts for water drainage.
- Designed to withstand some loads. Please inquire with Sunair office.
- H20 or H30 Louvers with blade pitch 20 cm.
- Multiple modules can be mounted side by side with common posts to create larger width.
- All aluminum frame powder coated.
- Motorized all sizes.
- Powered with a Somfy Altus 550 Motor.



  
**SUNAIR**®  
 ARCHITECTURAL STRUCTURES

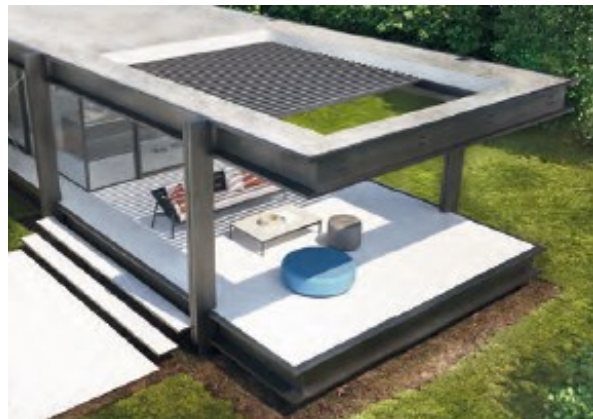
# FUNDAMENTALS: BRERA



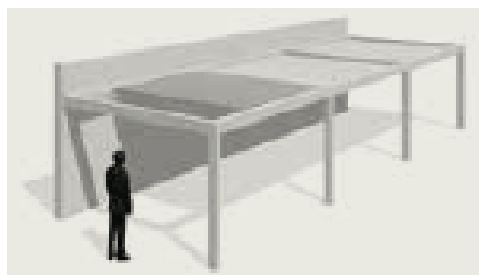
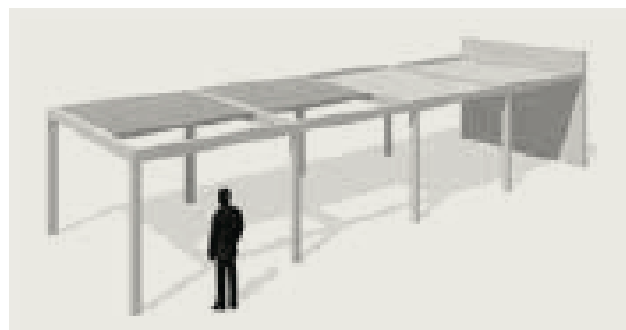
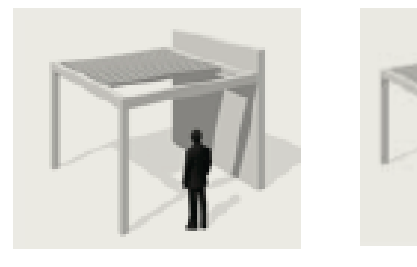
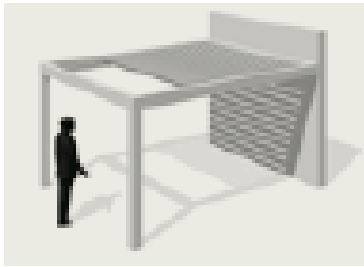
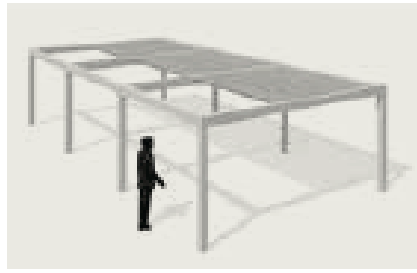
**Note: Raso screens available with Brera P version only.**



# BRERA: Installations



# BRERA: Some possible model configurations



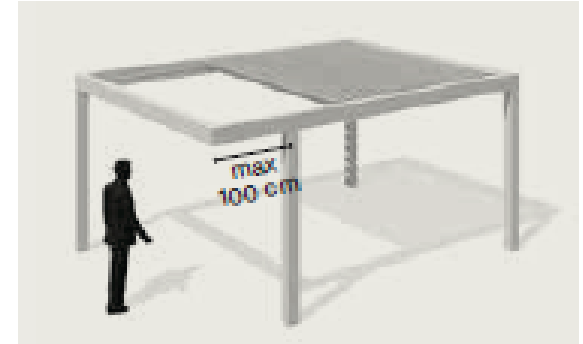


# BRERA: Special Order / Possible Combination

Note: Please contact Sunair office for instructions if these version are desired. Approval must be given and disclaimer must be signed.



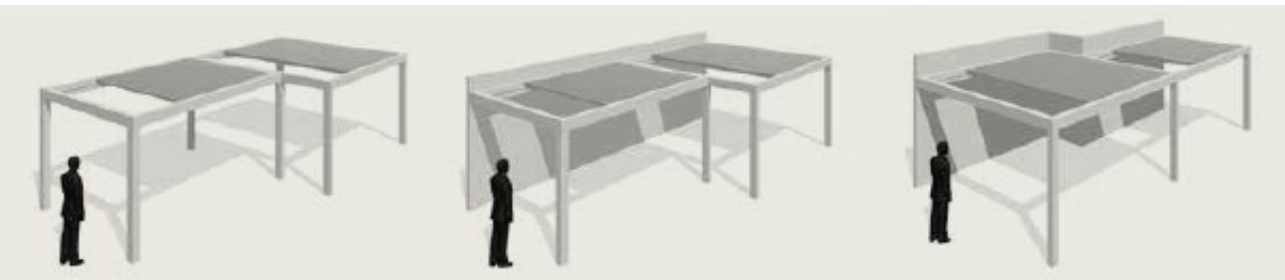
Modules joined on both the width and projection side simultaneously.



Structures with cantilevered posts.



Free standing or wall mounted structures joined on the width side with different projections.

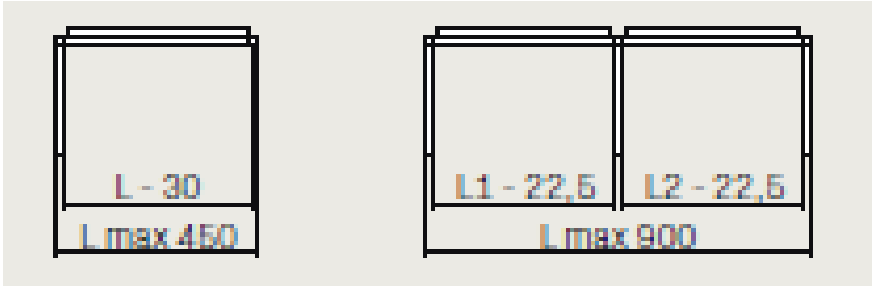
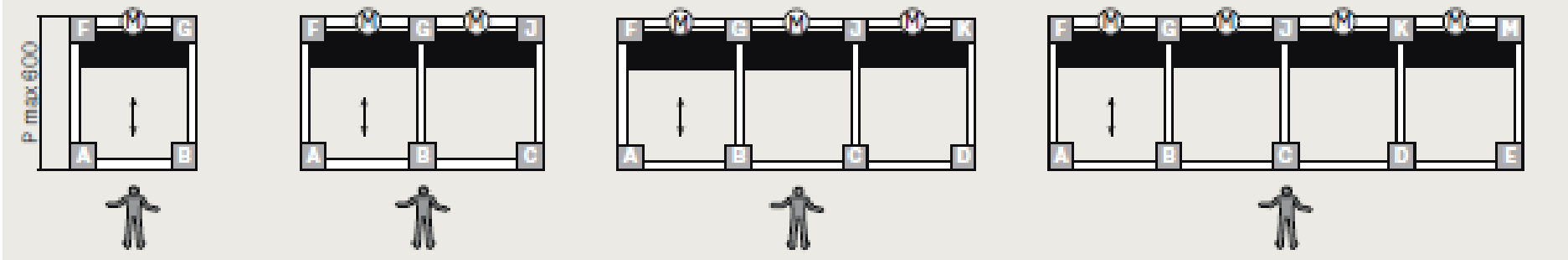


Free standing or wall mounted structures joined on the projection side with different widths.

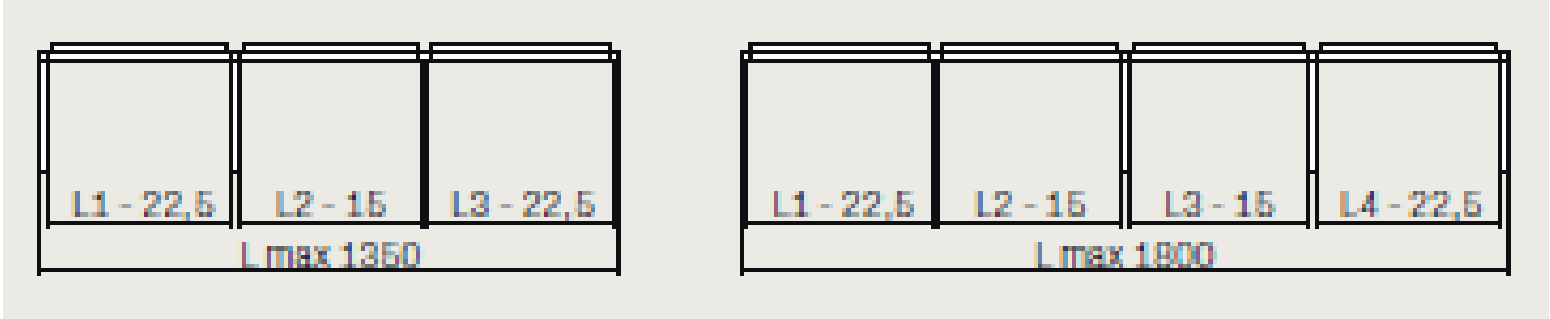
## RASO SCREENS:

**Optional Raso screens not available with BRERA S.**

# BRERA "S" 01L: Free standing

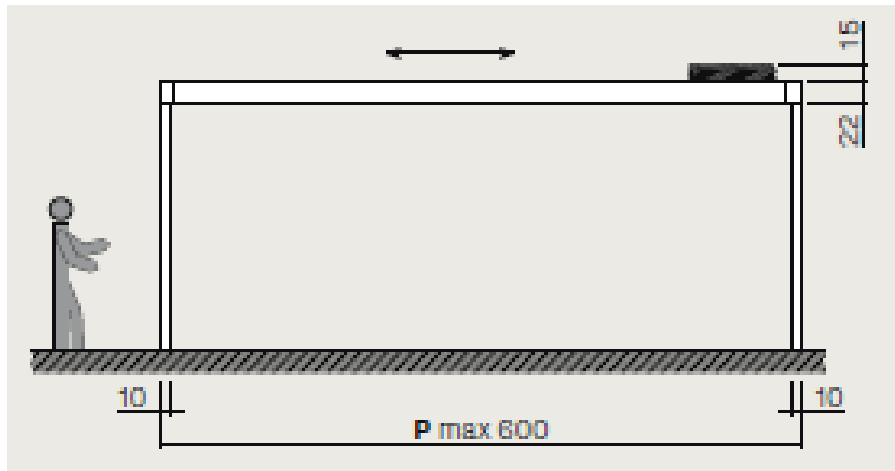


Note: Raso screens not available with Brera S version

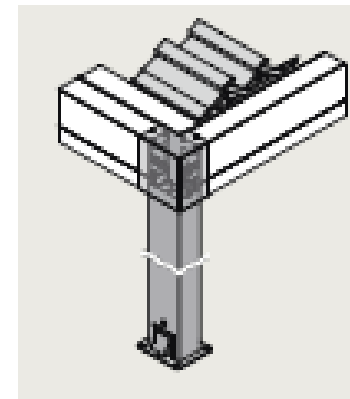
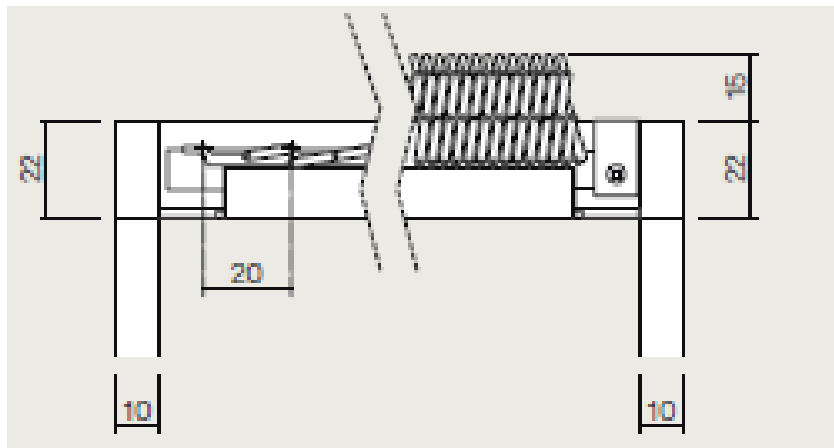
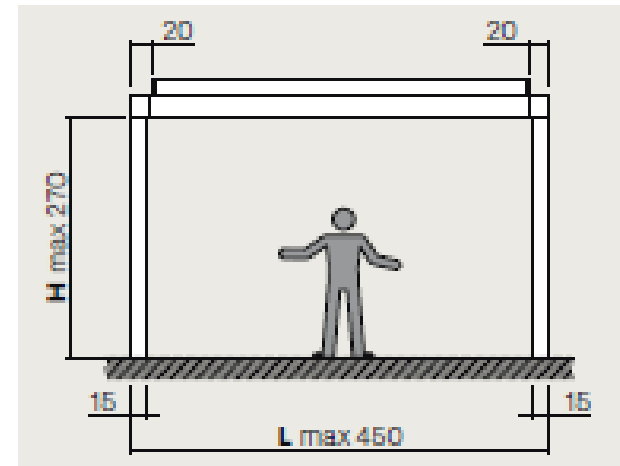


# BRERA "S" 01L: Free standing con't.

SIDE VIEW

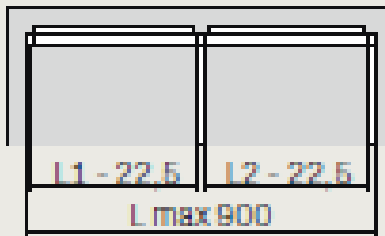
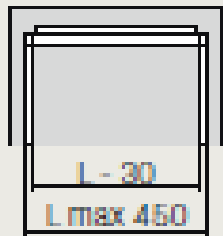
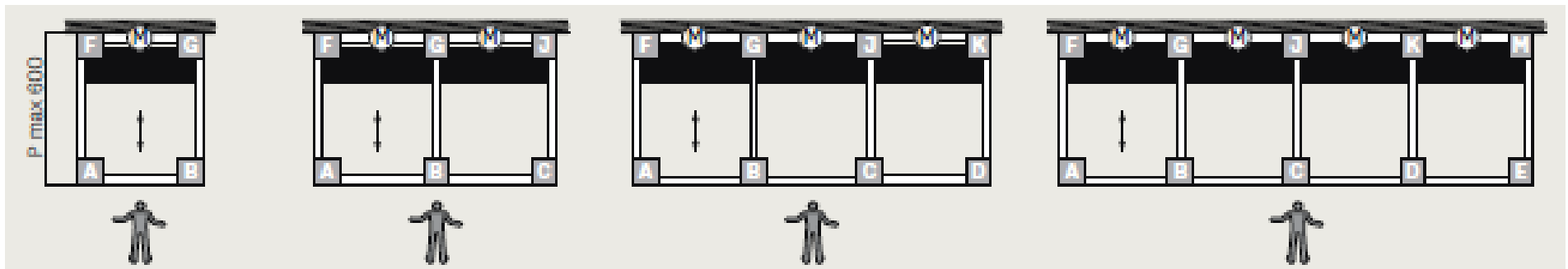


FRONT VIEW

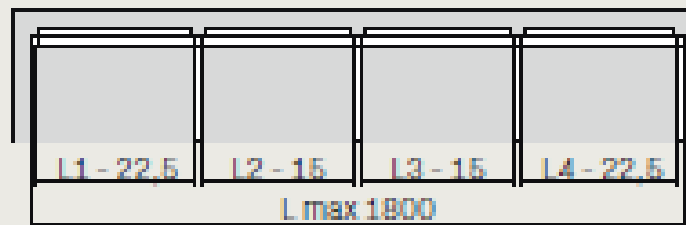
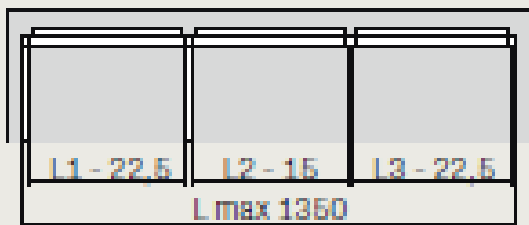




# BRERA "S" 02L: Mounted to wall on width side

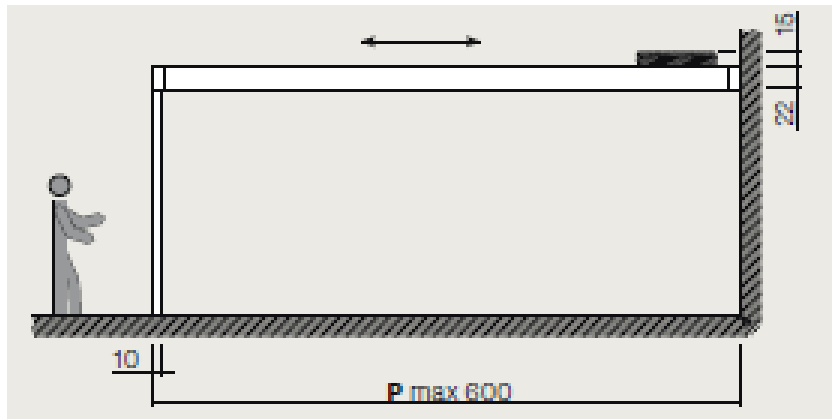


Note: Raso screens not available with Brera S version

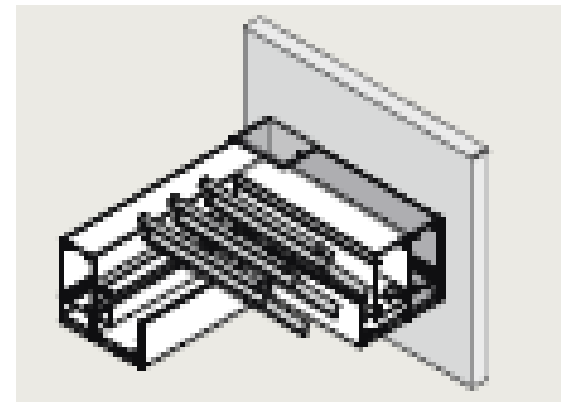
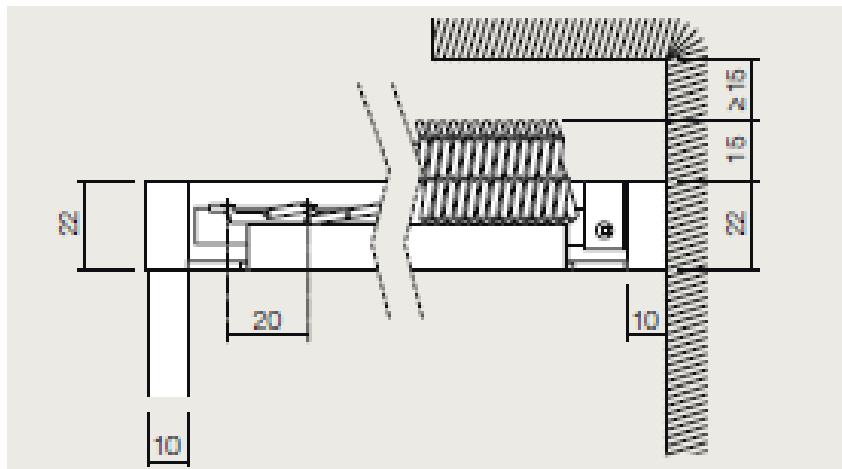
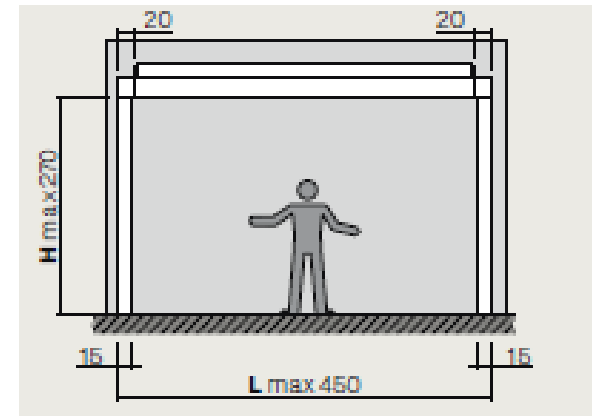


# BRERA "S" 02L: Wall mounted on width con't.

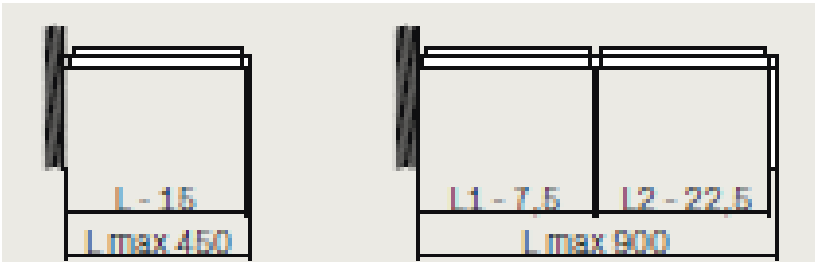
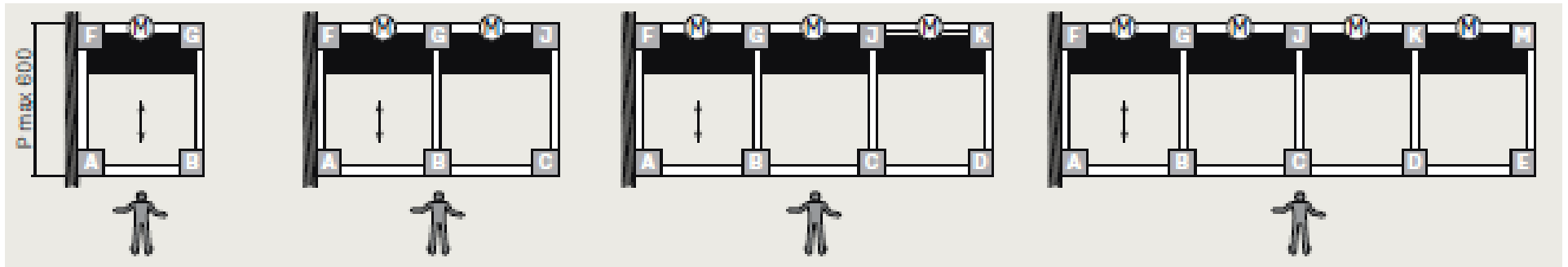
SIDE VIEW



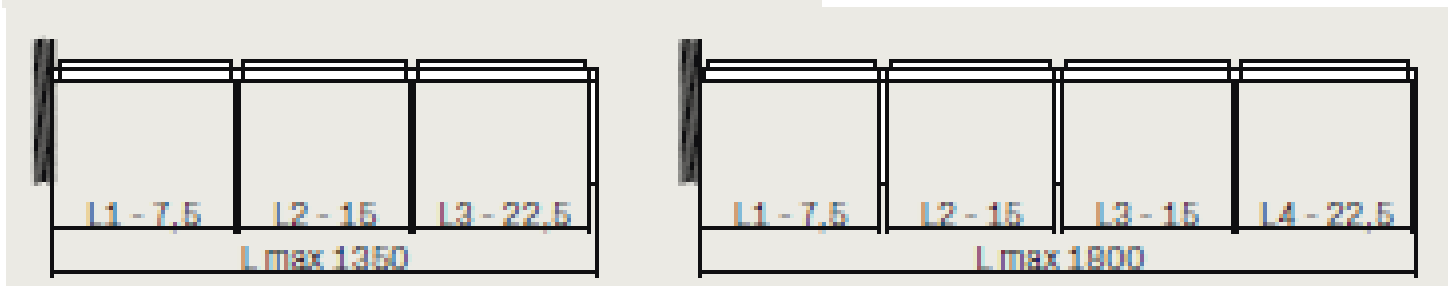
FRONT VIEW



# BRERA "S" 03L: Mounted to wall on projection side



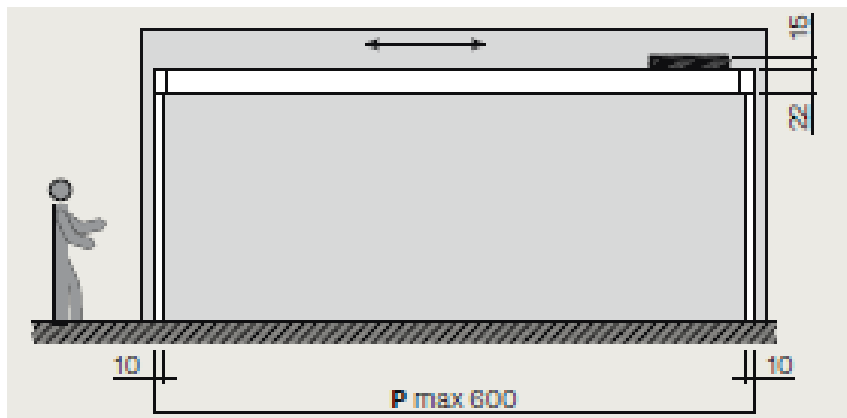
Note: Raso screens not available with Brera S version



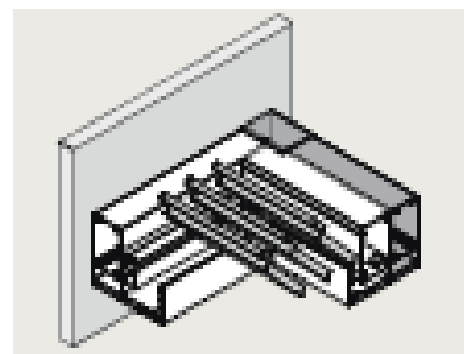
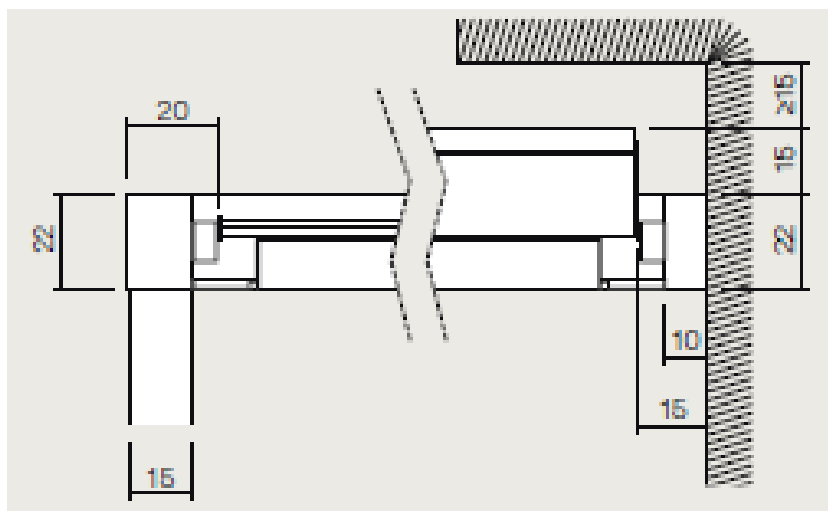
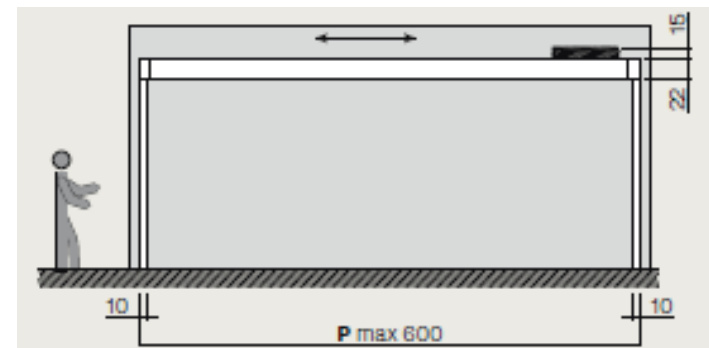


# BRERA "S" 03L: Wall mounted on projection con't.

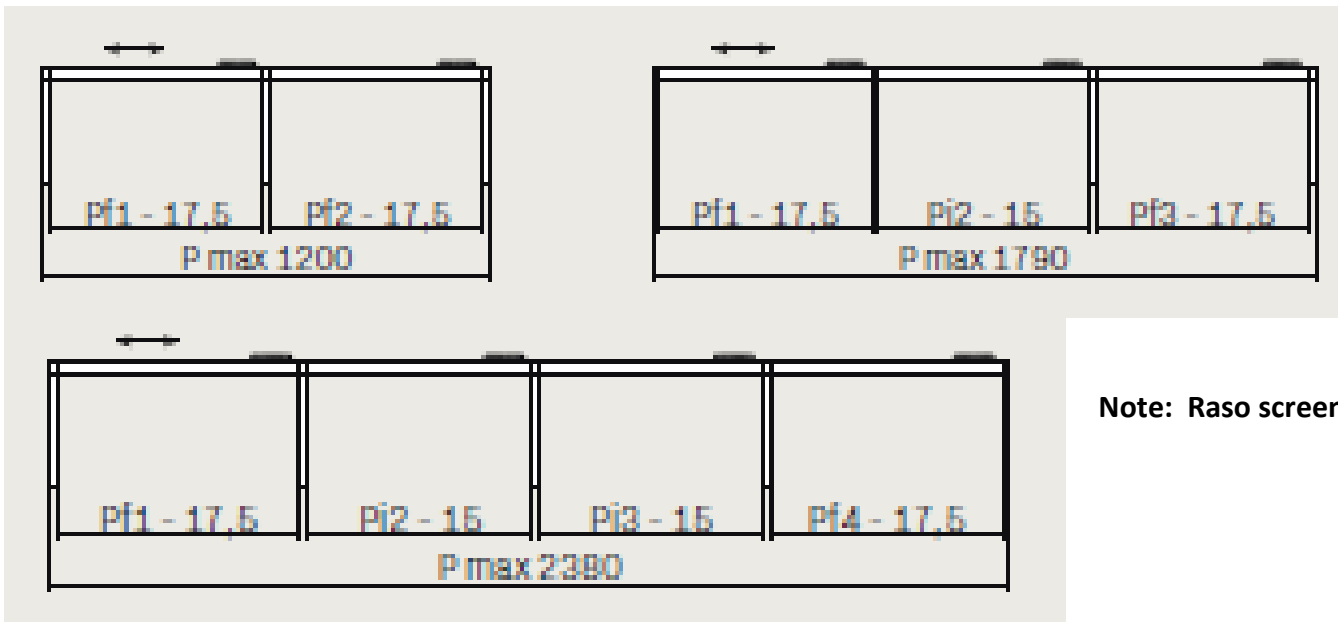
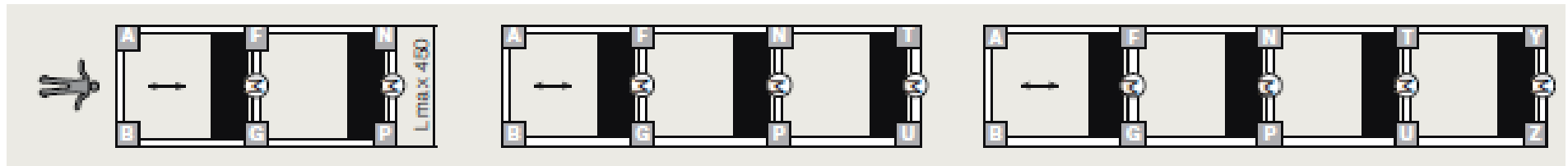
SIDE VIEW



FRONT VIEW



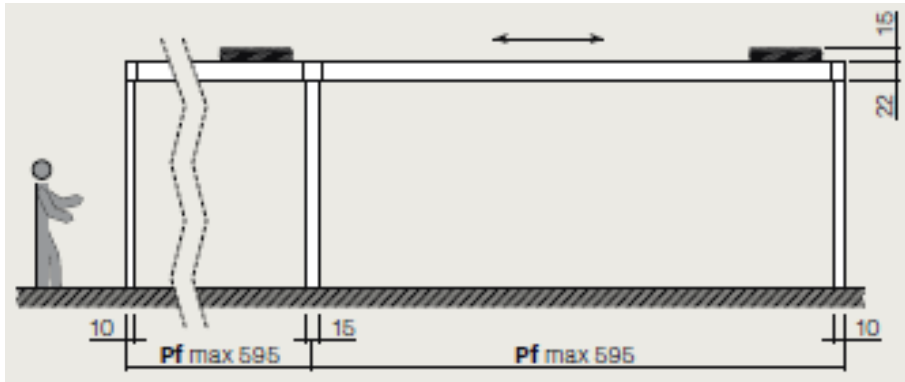
# BRERA "S" 01P: Free Standing



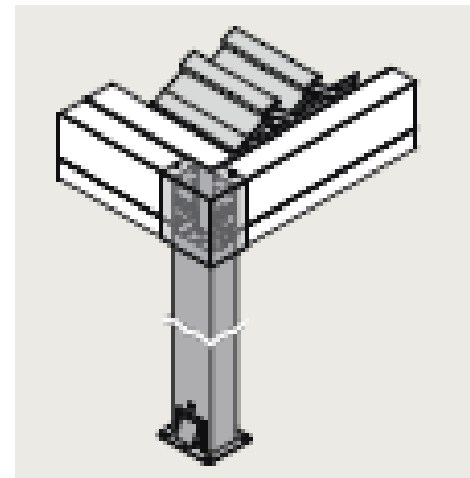
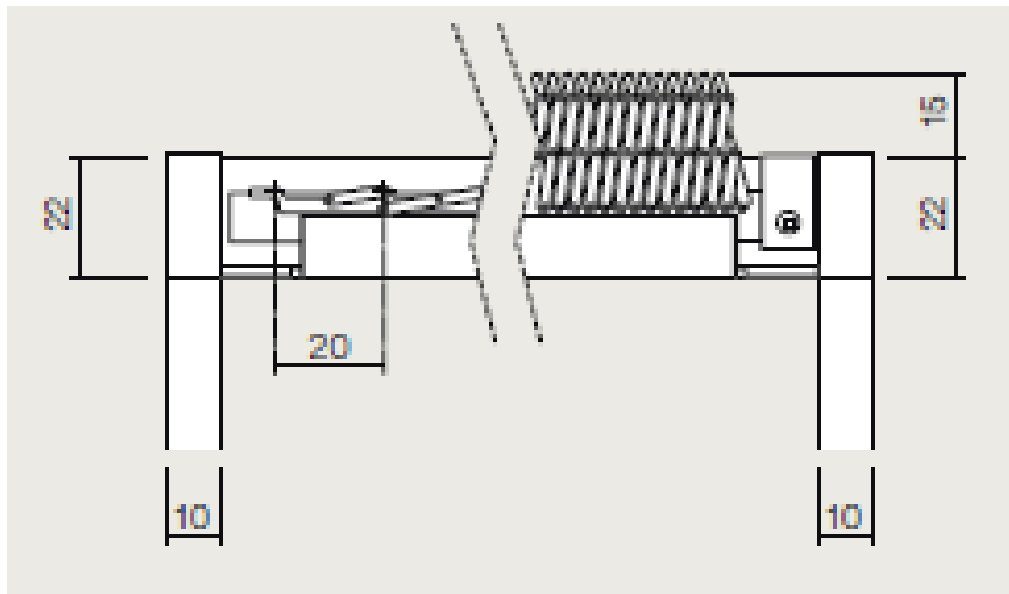
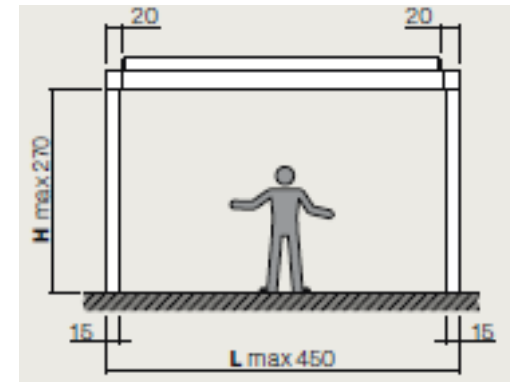
Note: Raso screens not available with Brera S version

# BRERA "S" 01P: Free Standing con't.

SIDE VIEW

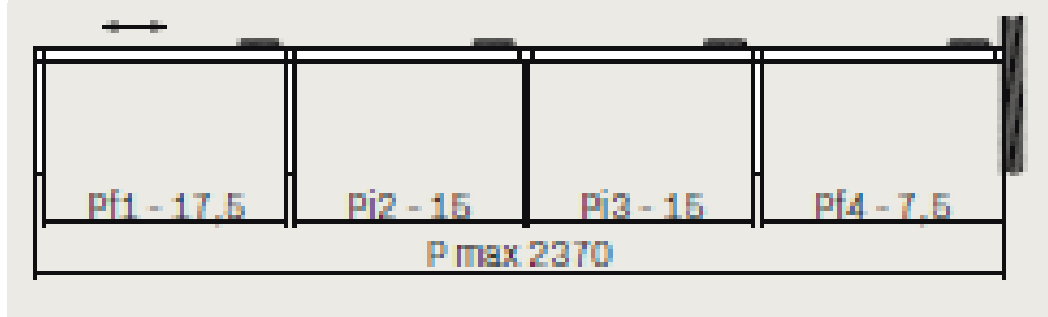
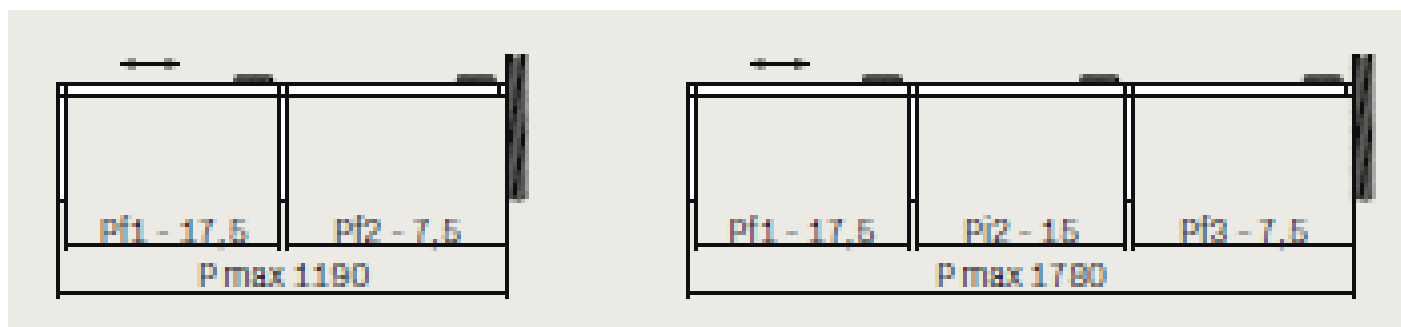
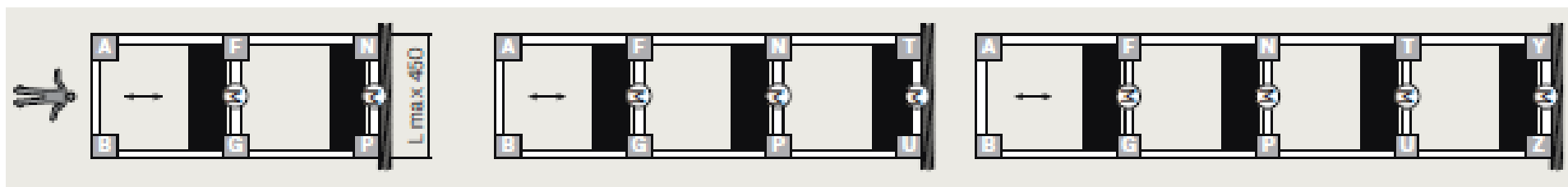


FRONT VIEW





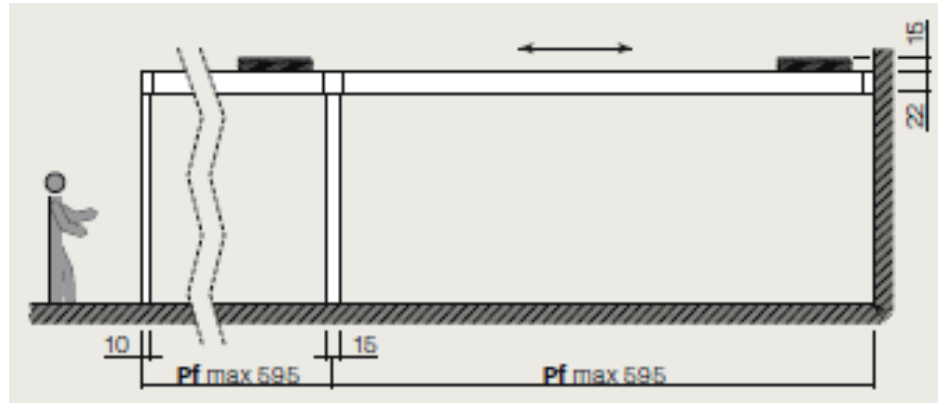
# BRERA "S" 02P: Wall Mounted on Width Side



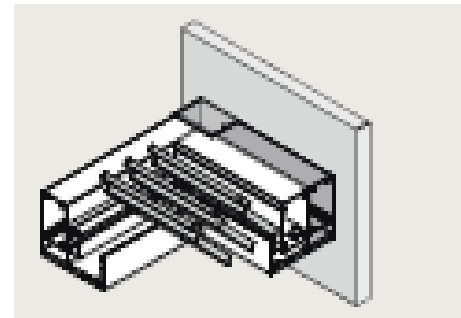
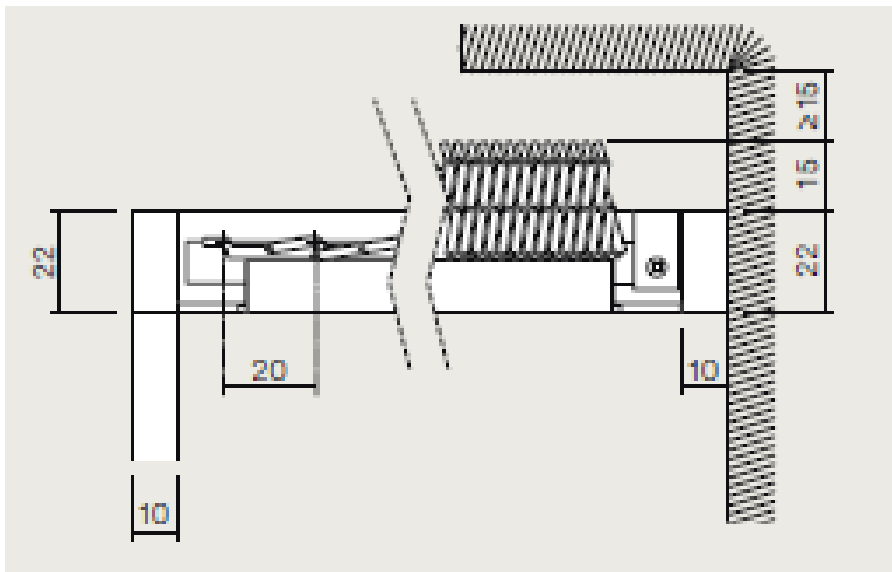
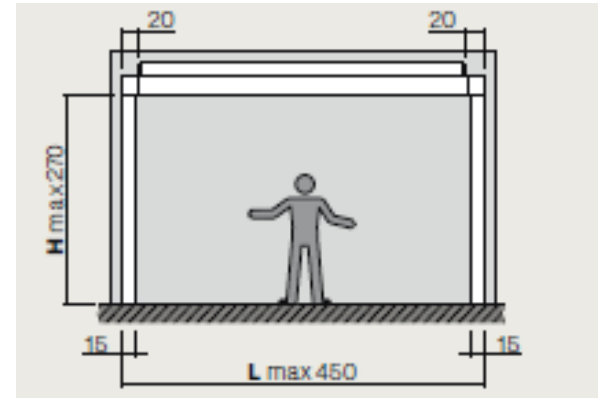
Note: Raso screens not available with Brera S version

# BRERA "S" 02P: Wall Mounted on Width Side con't.

SIDE VIEW

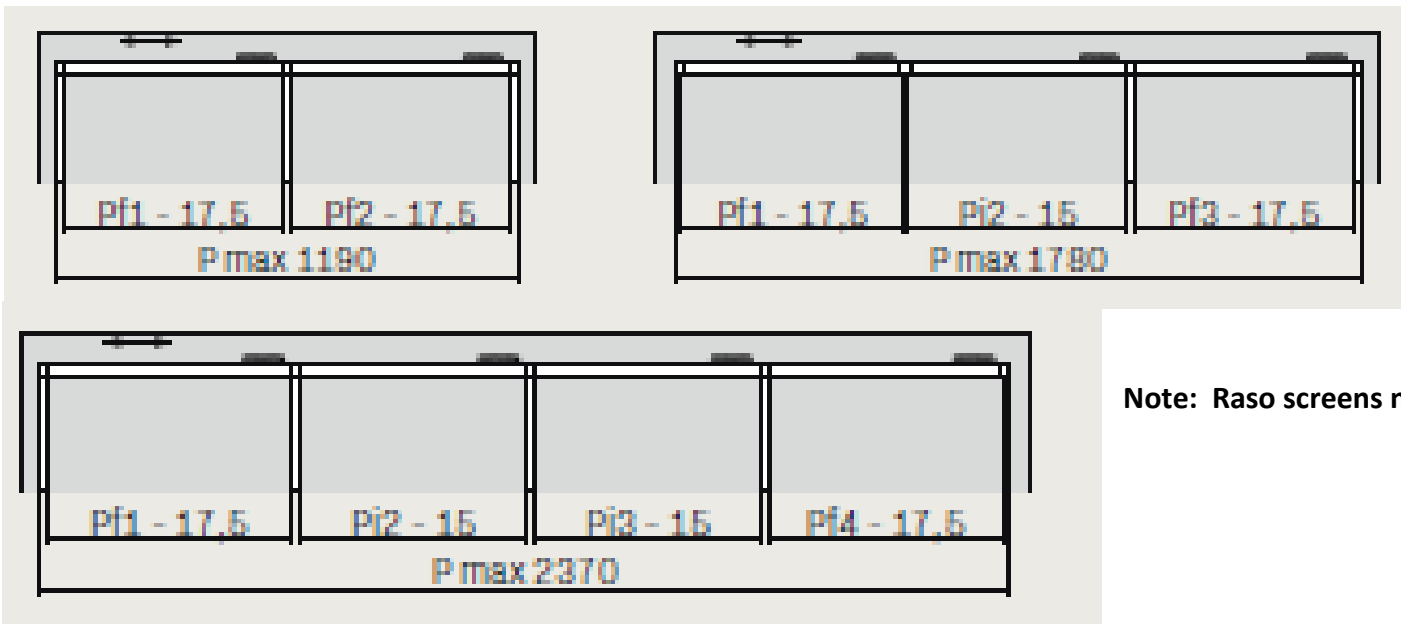
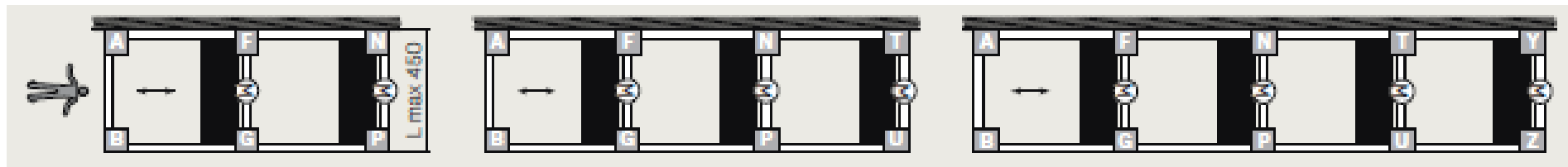


FRONT VIEW



# BRERA

## “S” 03P: Wall Mounted on Projection Side

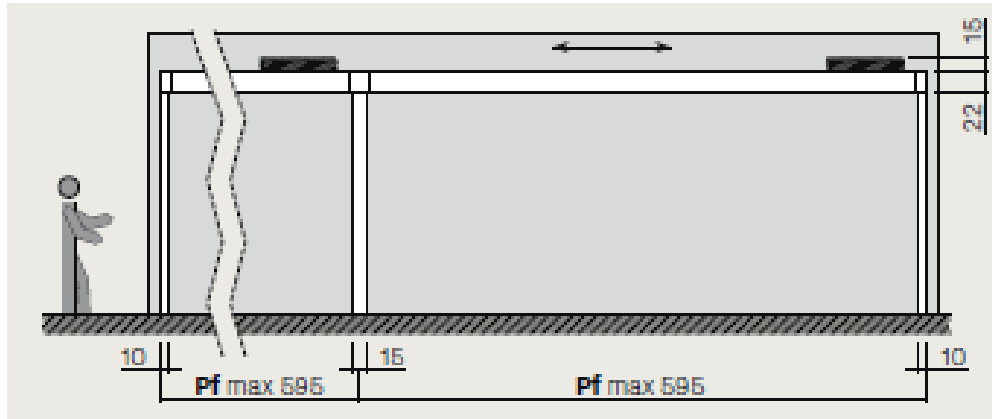


**Note:** With this configuration all the outside posts should be drainage posts. If an additional drainage point can be added along the wall this is better.

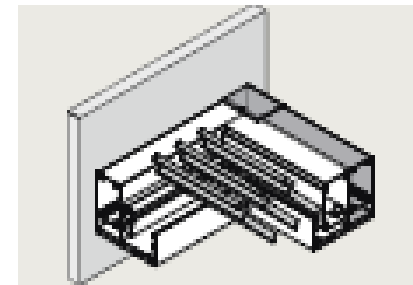
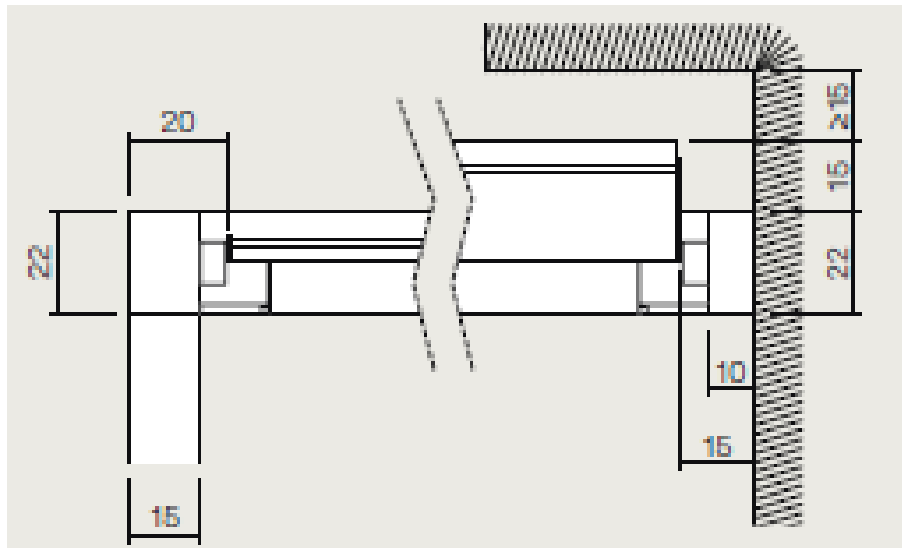
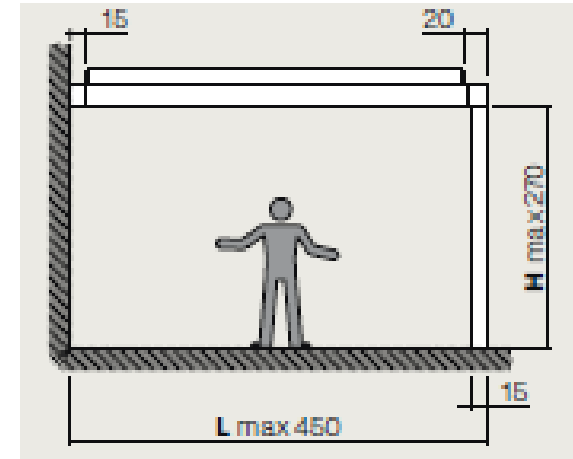
**Note:** Raso screens not available with Brera S version

## BRERA "S" 03P: Wall Mounted on Projection Side con't.

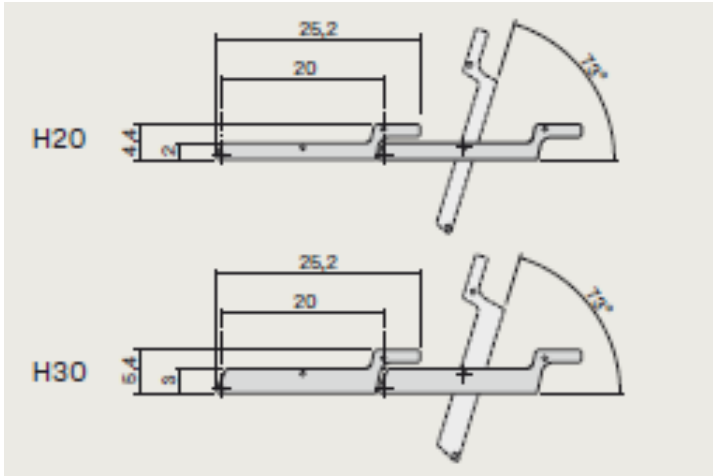
SIDE VIEW



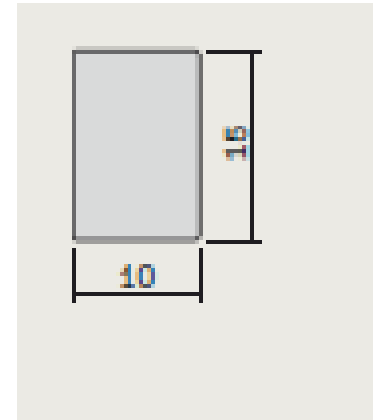
FRONT VIEW



# BRERA S Louver / Post Technical details and dimensions continued.

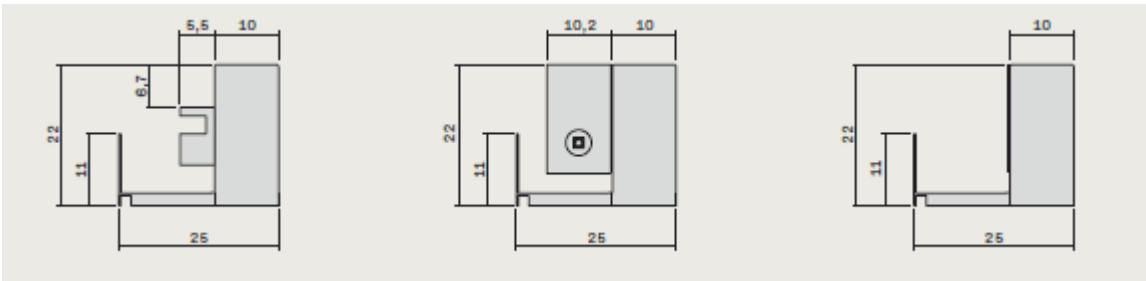


The thickness of the louver used H20 vs. H30 will depend on pergola unit width.



Post Technical detail.

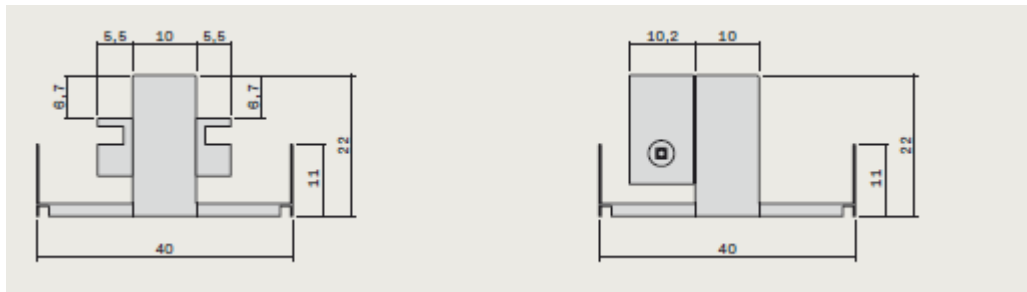
Blade / Louver Technical detail.



Projection Profile

Width Profile Motor

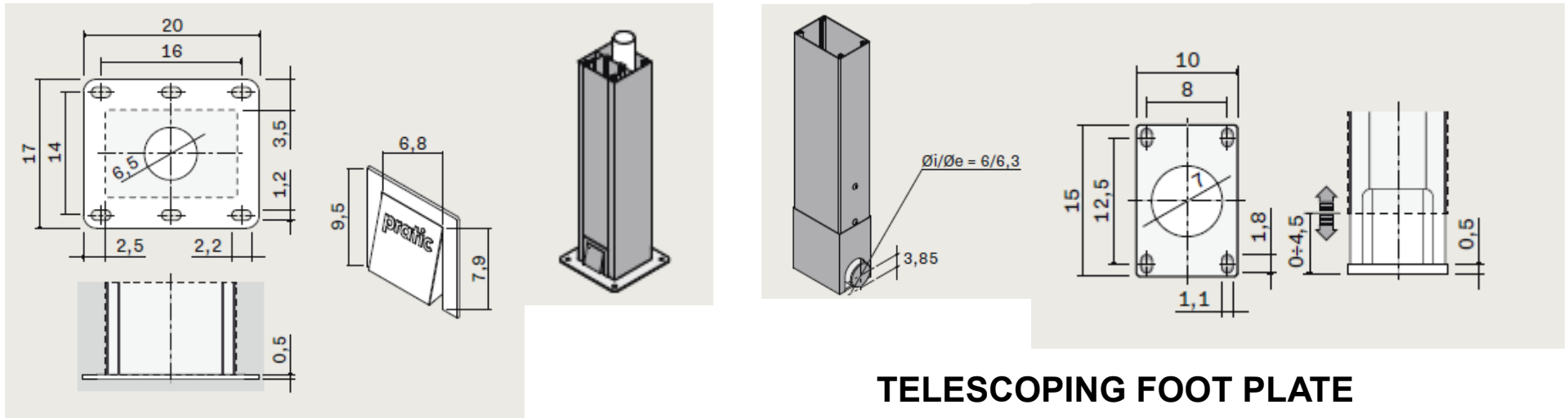
Width Profile Front



Inter. Projection Profile

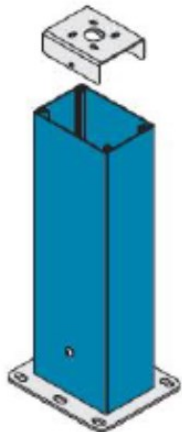
Inter. Width Profile

# BRERA S Post Technical details and dimensions continued.



## STANDARD FOOT PLATE

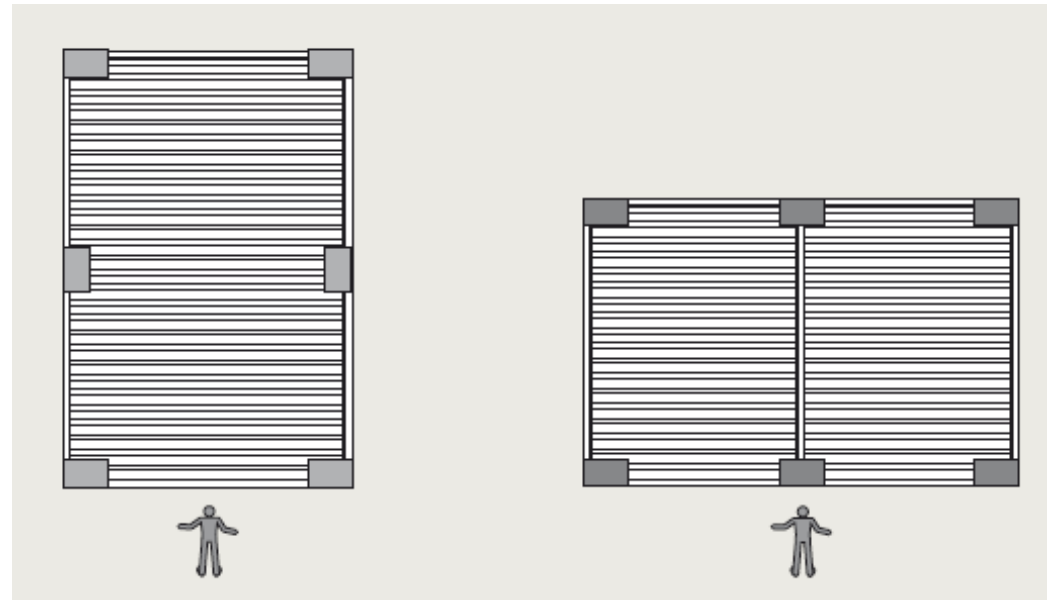
Standard post feet. Standard height is 90" (230 cm). Above 230 cm is an upcharge. Maximum available Brera post height is 118" / 300 cm.



Additional posts with standard feet.

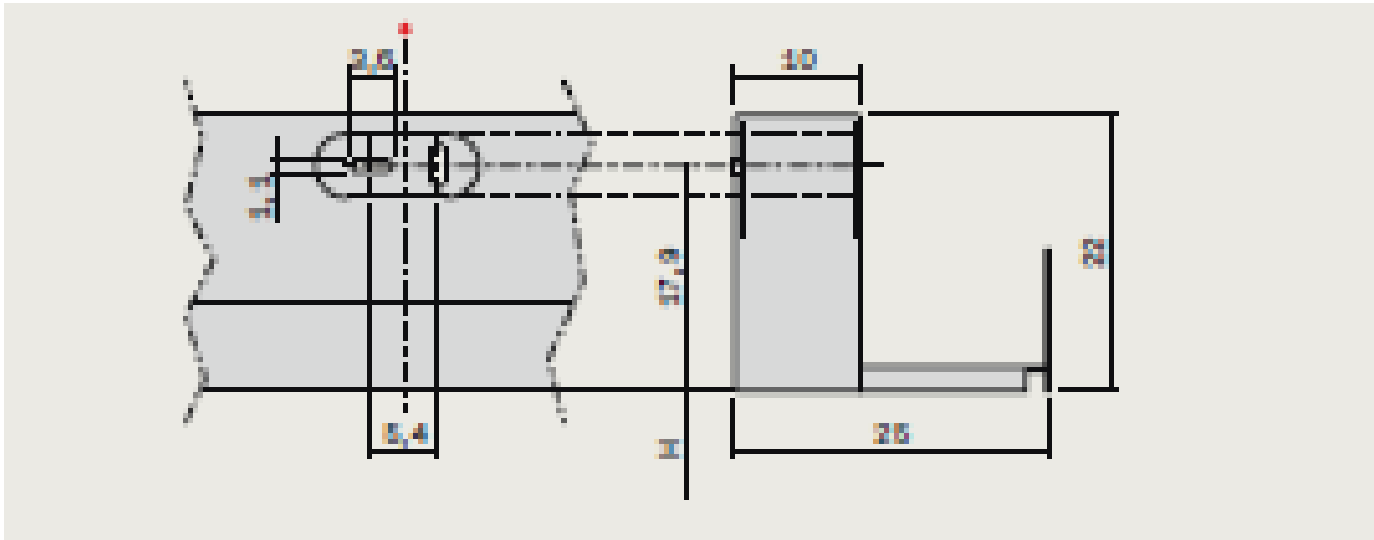
## TELESCOPING FOOT PLATE

Optional telescoping feet up to 5 cm ( 2"). These are ideal on uneven surfaces and should be ordered if

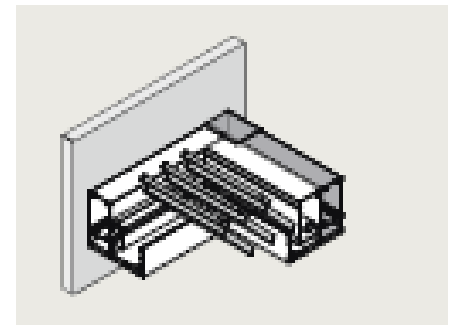
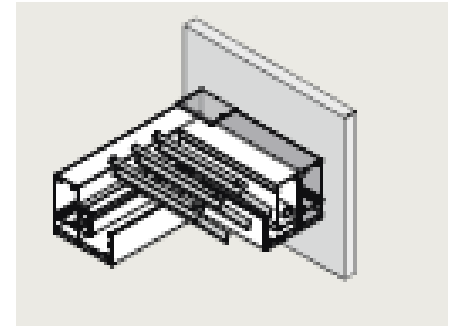


Post Location Diagram.

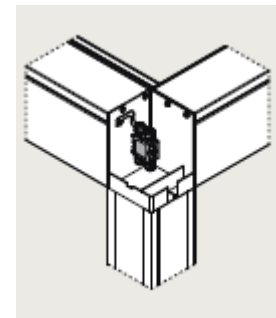
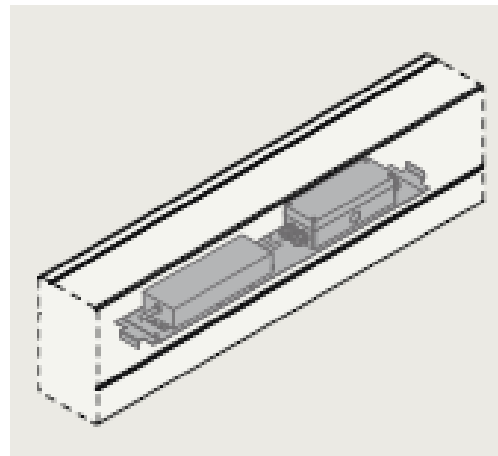
## BRERA S Technical details and dimensions continued.



Wall Mounting with Profile.

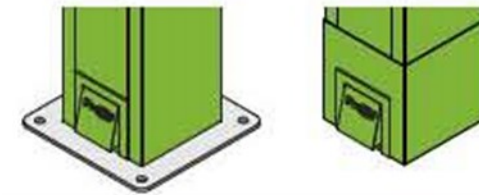
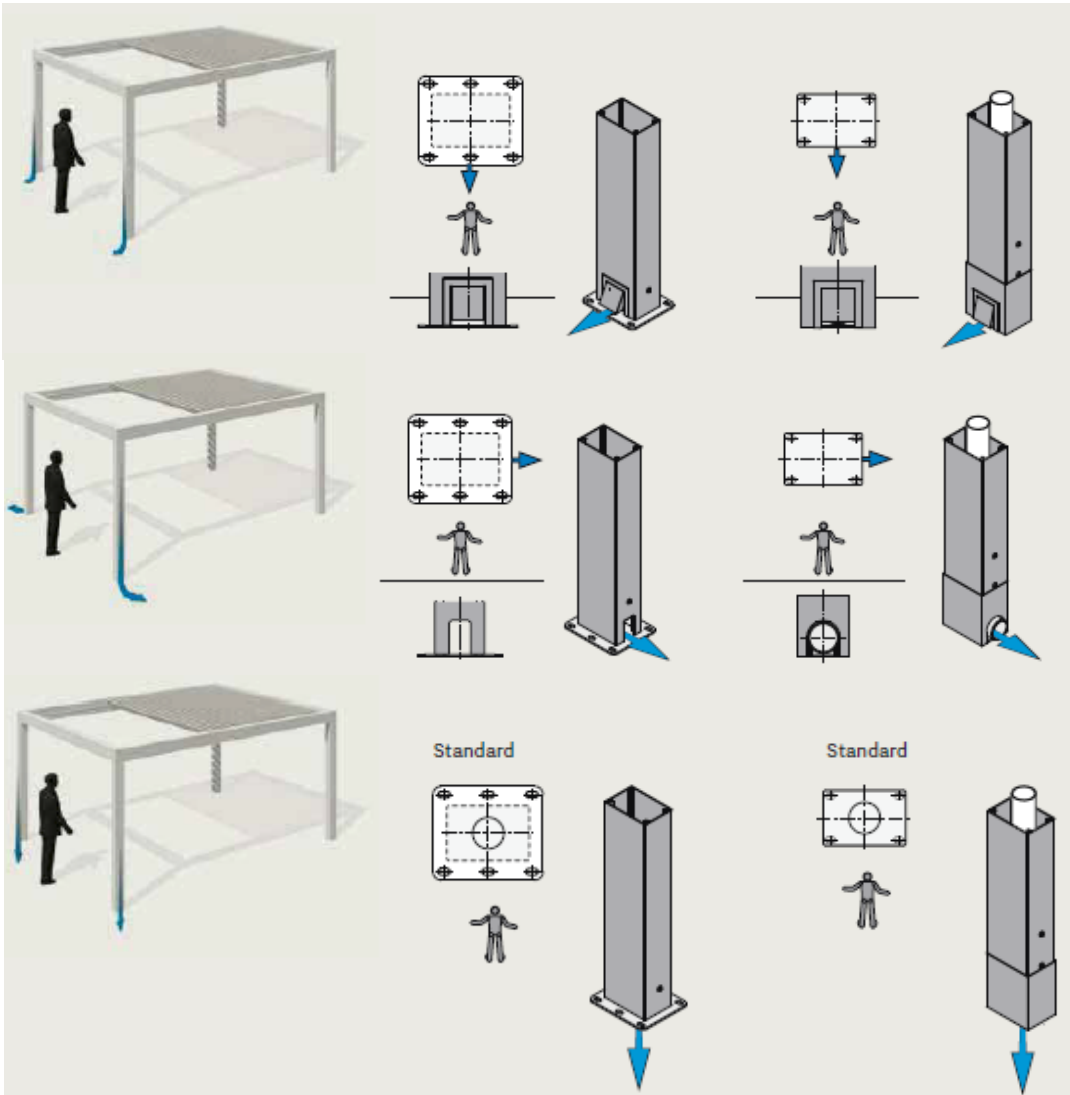


Electrical control unit and wiring in header.



Preassembled water tight boxes in the corners.

## Brera S water drainage details.



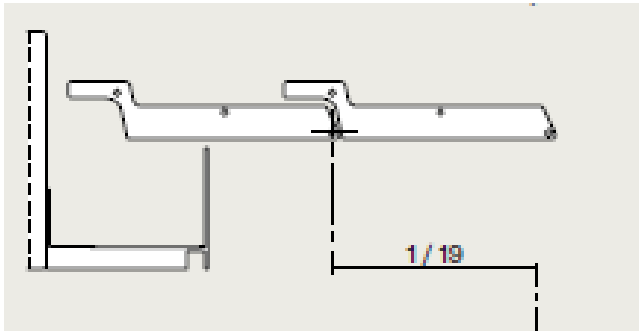
Scupper water discharge / flap is supplied in plastic can not be painted.

**Note:** You must make bottom of the post even with the decking or patio surface pavers (Do not add pavers around perimeter as they will block the discharge out the sides).

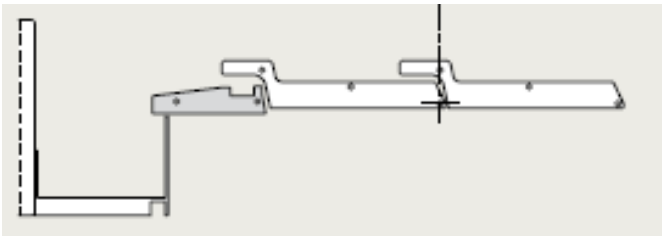
**NOTE:** The BRERA Louvers are flat so drainage points are ideally located on each side the Pergola module. Two drainage points per module is minimum (More than two is better).



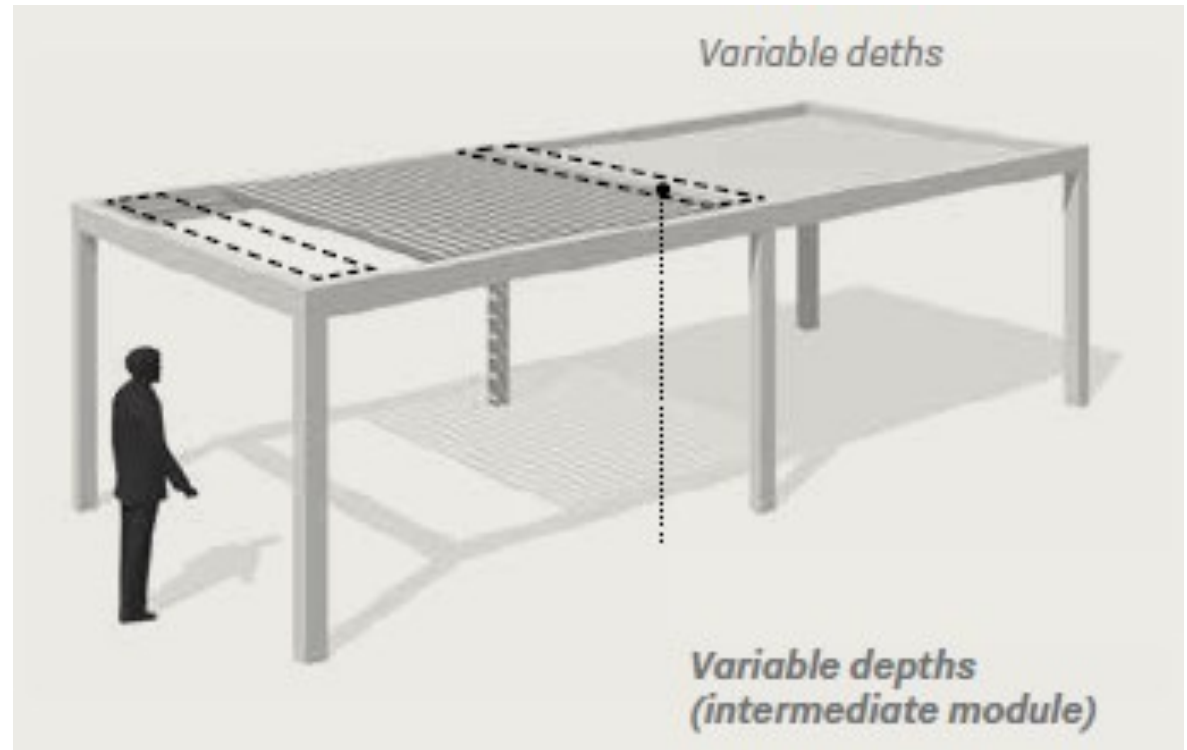
## BRERA Variable and Fixed projection.



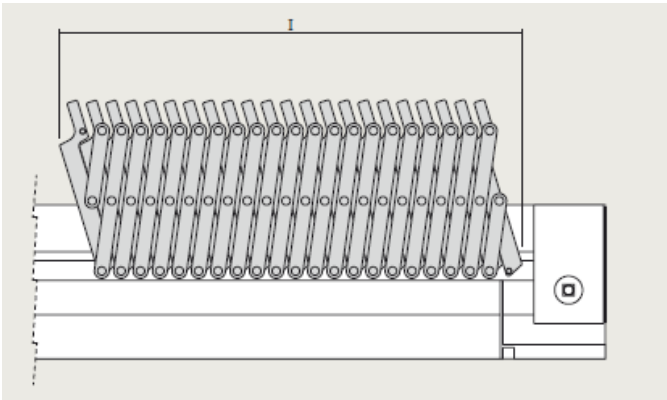
Standard projection full louver width.



Optional custom projection adding a fixed custom width louver (extra cost).



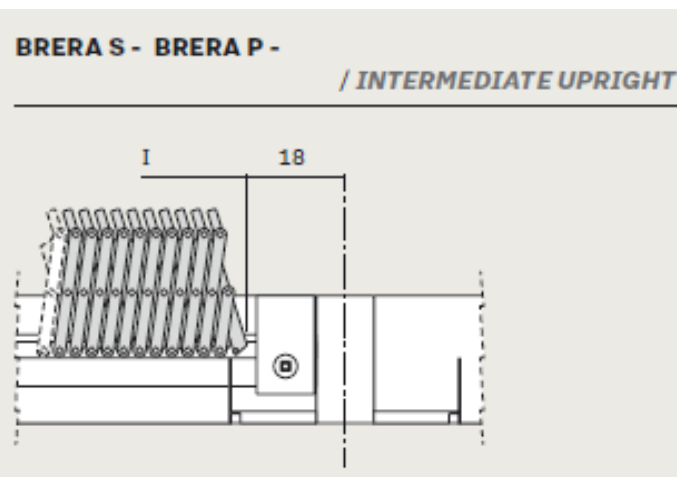
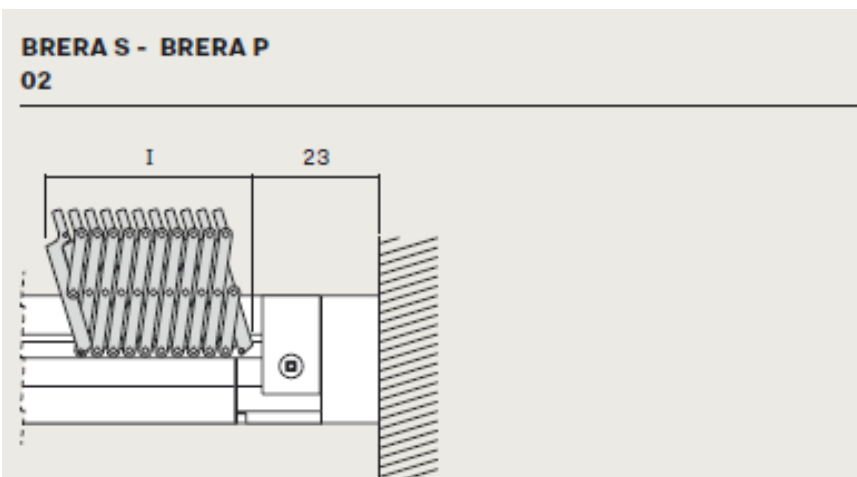
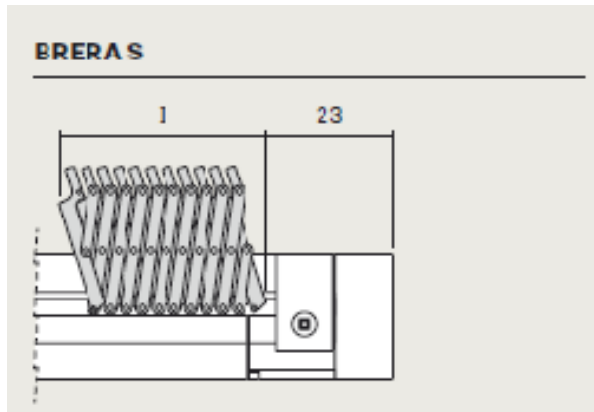
# BRERA S Louver # & Stack Dimensions



**“I” measurement is the actual stack Dimension of retracted Louvers.**

*Please refer to next page with “metric” dimensions in cm of Stack dimension “I” and # of louvers specified for the projection.*

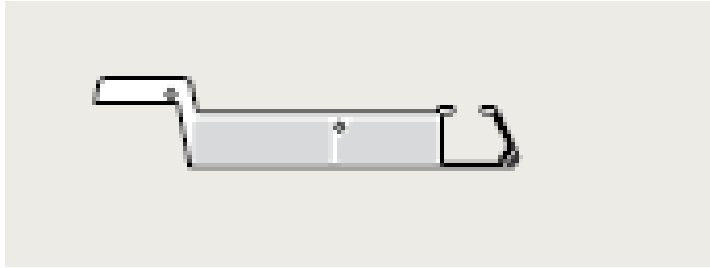
*See also header dimension behind the louvers.*



# BRERA S Louver # & Stack Dimensions / Dimensional Table con't

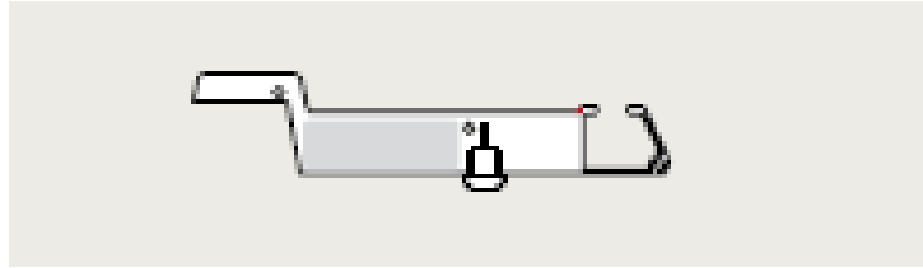
<i>Dimension tables</i>									# of Louvers	I stack dimensions H20 or H30 Louvers	
P									Lame / Blades	Ingombro / Dimension	
Brera P					Brera S			Brera B		H20	H30
P	Pp	Pf	Pi	Pm	P	Pf	Pi	P			
210	205	200	190	195	200	195	190	185	8	22,9	31,4
230	225	220	210	215	220	215	210	205	9	25,7	35,4
250	245	240	230	235	240	235	230	225	10	28,6	39,3
270	265	260	250	255	260	255	250	245	11	31,4	43,2
290	285	280	270	275	280	275	270	265	12	34,3	47,2
310	305	300	290	295	300	295	290	285	13	37,2	51,1
330	325	320	310	315	320	315	310	305	14	40,0	55,0
350	345	340	330	335	340	335	330	325	15	42,9	59,0
370	365	360	350	355	360	355	350	345	16	45,7	62,9
390	385	380	370	375	380	375	370	365	17	48,6	66,8
410	405	400	390	395	400	395	390	385	18	51,4	70,7
430	425	420	410	415	420	415	410	405	19	54,3	74,7
450	445	440	430	435	440	435	430	425	20	57,2	78,6
470	465	460	450	455	460	455	450	445	21	60,0	82,5
490	485	480	470	475	480	475	470	465	22	62,9	86,5
510	505	500	490	495	500	495	490	485	23	65,7	90,4
530	525	520	510	515	520	515	510	505	24	68,6	94,3
550	545	540	530	535	540	535	530	525	25	71,5	98,3
570	565	560	550	555	560	555	550	454	26	74,3	102,2
590	585	580	570	575	580	575	570	565	27	77,2	106,1
610	605	600	590	595	600	595	590	585	28	80,0	110,0

# **LOUVER OPTIONS: BRERA**



Comfort Blade

Foam filled



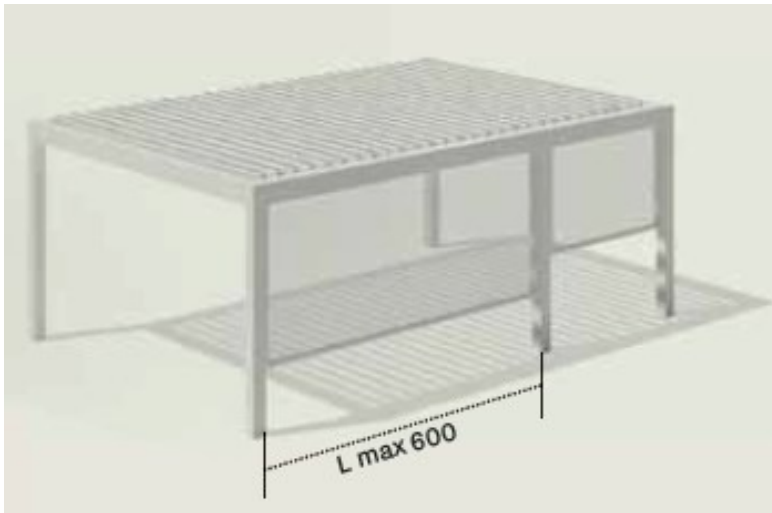
Comfort Blade partially foam filled

Comfort Blade is an optional foam filled louver minimizing noise from “rain”

**NOTE: If spotlights are desired louver must be either standard or partially filled only**

## OPTIONS: LOUVERED PERGOLAS

### RASO ROLL DOWN ZIPPER SCREENS For OPERA & BRERA P



#### Note:

Maximum available Raso screen width will depend on fabric type. An additional intermediary post can be added to cover the side with multiple screens.

Optional roll down screens can be added to the OPERA and BRERA P models only.

Note: Raso screens are NOT available with the “Vision” model.

The screens are available with mesh fabrics and also vinyl with windows (single or double). Please inquire on window size specifications needed.

#### Available Fabric are:

Tempotest Para Acrylic fabric (Colors from range)

Mosquito Mesh 50% open (Grey & Black)

Soltis 86 mesh (Colors from range)

Soltis 92 mesh (Colors from range)

Ferrari 502/602 with windows (Colors from range)

#### Max widths available:

Mosquito Mesh: 14' 6" wide x 10' high

Soltis 86 & 92: 19'6" wide (6 m)

Para & Ferrari 502/602: 19' 6" wide (6m)

Ferrari 502/602 with windows: 13' wide (4 m)

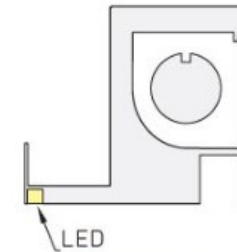
**NOTE:** If OPERA projection is wider than the maximum allowable screen width above, an intermediary post has to be added at extra cost and two screens must be made in its place. Even if you want to wall mount the NOMO, you still will need post in rear to accommodate the Raso screens.

# OPTIONAL PERIMETER LED LIGHTING OPERA, VISION, and BRERA



## LED positioning

LED on depth side



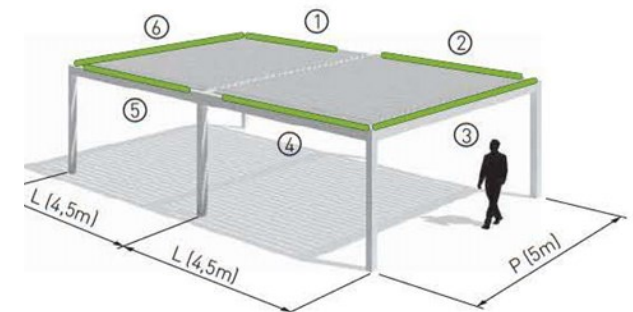
The LED lights on the depth side are integrated into the standard gutter profile.

The OPERA ,VISION, and BRERA can be fitted with remote controlled perimeter LED mood lighting WHITE only or RGB strips. The LED strips are available for the perimeter of the system only and can be multi colored or white only. You can have the system automatically change the color periodically, or keep it one color. The lights are dimmable to the desired brightness. These lights are controlled with the same remote as the louvered 24 volt mo-



## Examples of LED configuration

- 1 22 m LED group (strips ①+②+④+⑤), switching on and dimming in common
- 2 10 m LED group (strips ①+② and strips ④+⑤), independent switching on and dimming of the 2 groups
- 4 5 m LED groups (strip ①, strip ②, strip ④, strip ⑤) independent switching on and dimming of the 4 groups





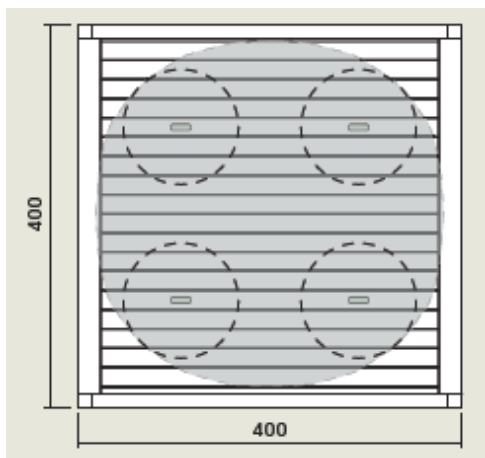
## OPTIONAL QUADRA LIGHTING BRERA



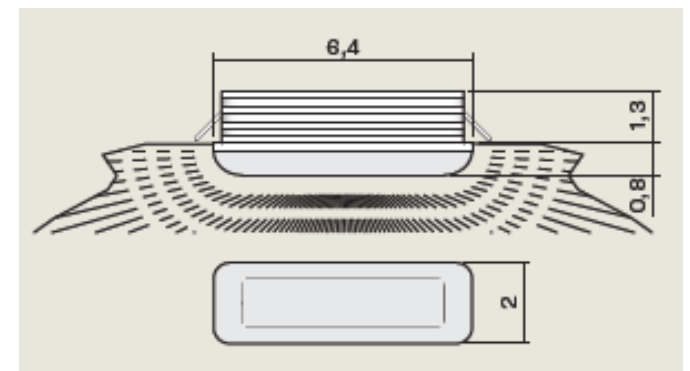
### TECHNICAL SPECIFICATIONS

- Dimmerable
- Installed recessed on the blades
- Pre-assembled electrical system
- They must be ordered together with the structure
- Any after-sales requests of installation involve the invalidity of the guarantee for mechanical and electronic processing
- Minimum two Quadra Light can be installed on every blade
- Recommended distance from the edge 50 cm
- Maximum distance between Quadra Light lights 150 cm
- A rain sensor is recommended to avoid prolonged exposure to the rain with blades open

The OPERA , VISION, & BRERA can be fitted with white the Quadra Light which can be added to the actual louvered strips where desired. The lights are dimmable to the desired brightness. These lights are controlled with the same remote as the louvered 24 volt motor.



<b><u>POWER SUPPLY:</u></b>	LED 24 Vdc
<b><u>PROTECTION GRADE</u></b>	IP44
<b><u>LIGHT COLOR</u></b>	3000 K
<b><u>CONSUMPTION / BULB</u></b>	4.5 W
<b><u>LIGHT OUTPUT</u></b>	460 Lumens / m
<b><u>LIGHT PROJECTION</u></b>	WIDESPREAD



**NOTE: Quadra lights not available with BRERA model.**

Sunair provides specifications for all our products including the Fabric Pergola roof awnings and Louvered systems. For specifications please go to [www.sunairawnings.com](http://www.sunairawnings.com) and click on the “architects “ section.

Once you register you will be able to download the model “specifications” needed. You will also find architectural and engineering drawings in this section .

## SECTION SPECIFICATIONS 107313

Retractable Fabric Roof Pergola Awnings  
Patio Covers and Pergola Awnings Section 107313 (Old 10530)



**Specs are also  
available here**



SUNAIR AWNINGS & SOLAR SCREENS  
P.O. Box 1068 7785 Rt. 175,  
Jessup, MD 20794

JESSUP, MD 800 – 548 – 0408  
PHOENIX, AZ 877 – 272 - 3920

### Specifications for Fabric Roof Pergola Awnings by SUNAIR®:

#### PART 1 - GENERAL

##### 1.1 RELATED SECTIONS:

- A. 107113 Exterior Sun Control Devices
- B. 107300 Protective Covers
- C. 133133 Framed Fabric Structures
- D. 107316 Canopies
- E. 133100 Fabric Structures
- F. 133400 Retractable Engineered Structures

##### 1.2 RELATED DOCUMENTS

- A. Drawings and general provisions of the contract
- B. Fabricated engineered Structure / aluminum frame
- C. Motorized retractable covering system / motors and controls
- D. Fabric
- E. Accessories





## **Here is what Sunair can provide you to get your project started**

- “DWG” Drawings and “specifications” for you to specify our Pergola awnings into your project.
- Engineer available to engage with you to verify and or design the system per local codes.
- Provide fabric and frame color sampling.
- Provide a local dealer for sales, installation and service.
- Assistance with your shop drawing and engineering drawings .

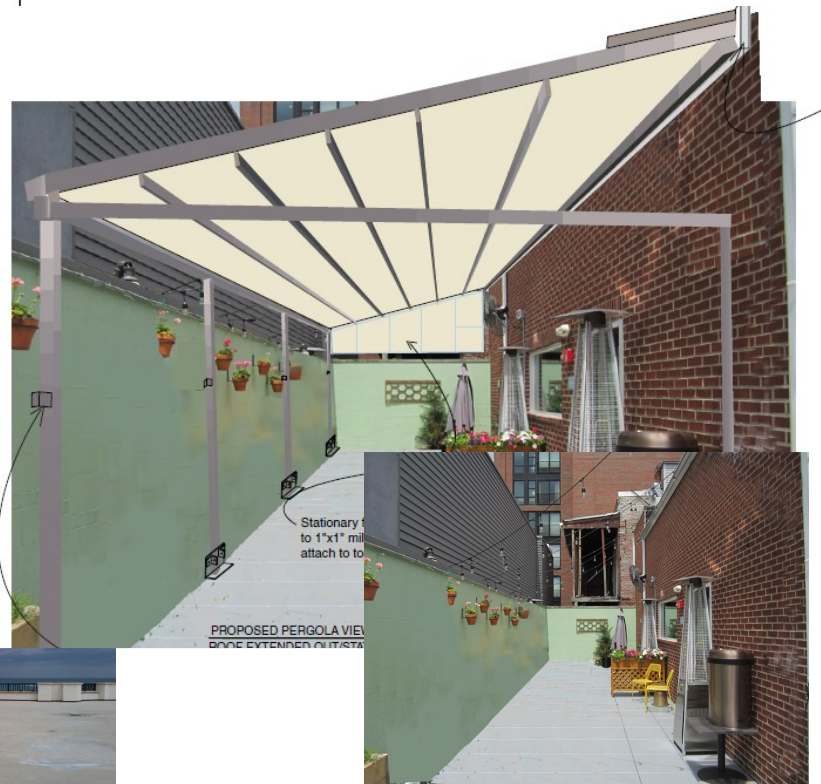
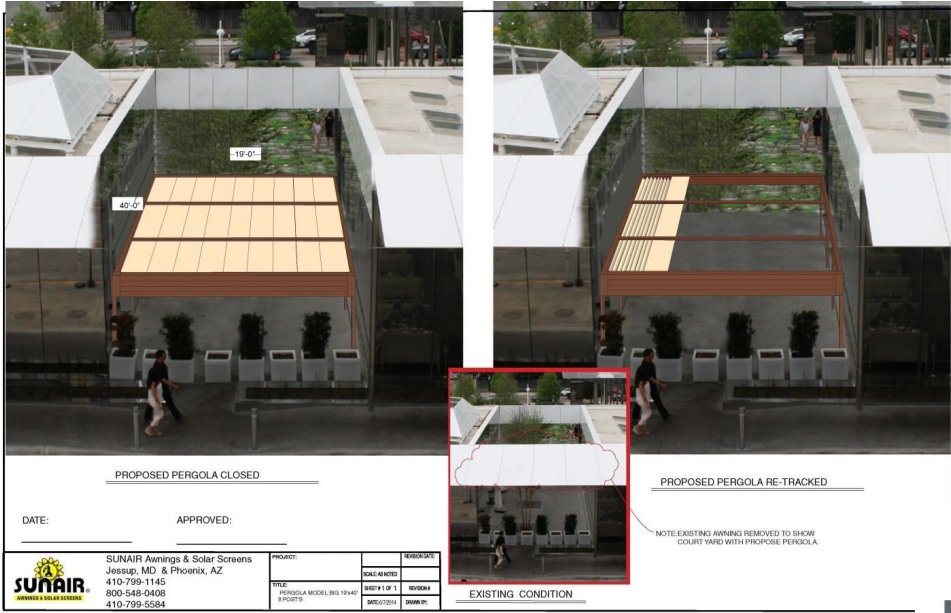
Please email us at [info@sunairawnings.com](mailto:info@sunairawnings.com) or go to [www.sunairawnings.com](http://www.sunairawnings.com) for further information. Either click on Pergola Awnings tab, or go to “Architects” section at top of the home page and register. If you can not locate what you need, please contact us.

## ENGINEERING OF YOUR PROJECT:

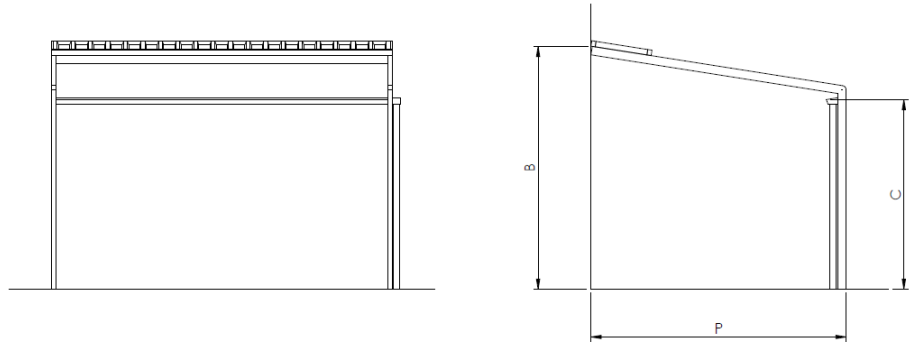
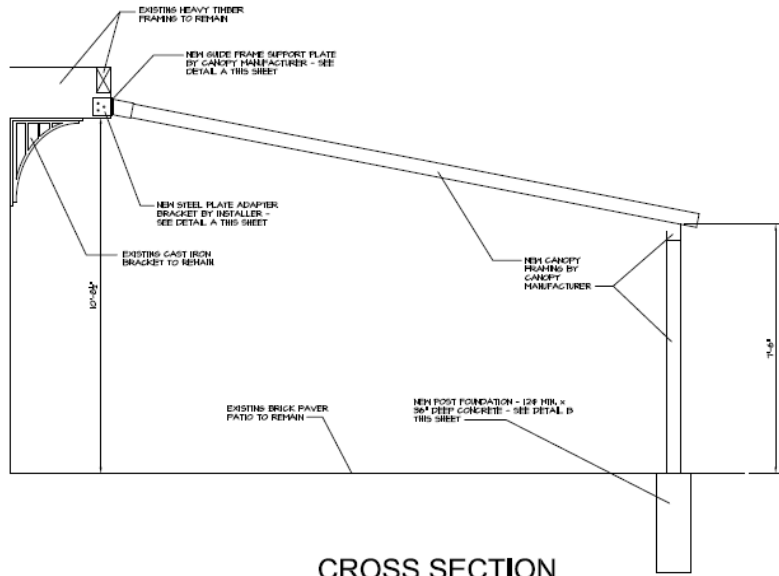
**Part of the process in engineering the Pergola Awning project and prior to determining final project cost, you will need to evaluate where the Pergola awning is being installed. In all commercial projects and most residential projects a permit is required. In most cases complete site specific engineering of the system is required for permitting and often these engineering drawings will need to be signed by an engineer. If the Pergola is being installed on a multi-story structure, near the ocean, or in an areas of the country or islands subject to heavy winds or heavy storm events you will need to take extra caution in designing the system. Sunair and Pratic has basic engineering calculations available for your use in determining the best awning configuration for your project to see if it meets local conditions and local codes. These calculations are also accompanied by published wind files. If these wind files that Pratic publishes does not meet code or your wind resistance needs, Pratic engineering can review the sizes of the units, and possibly reconfigure the modules in addition to offering re-enforcements options to the structure and installation. If additional engineering calculations have to be made, there will be a fee for that.**

**Feel free to contact our sales department and we will be happy to assist you at 800-548-0408 or send an email to [info@sunairawnings.com](mailto:info@sunairawnings.com)**

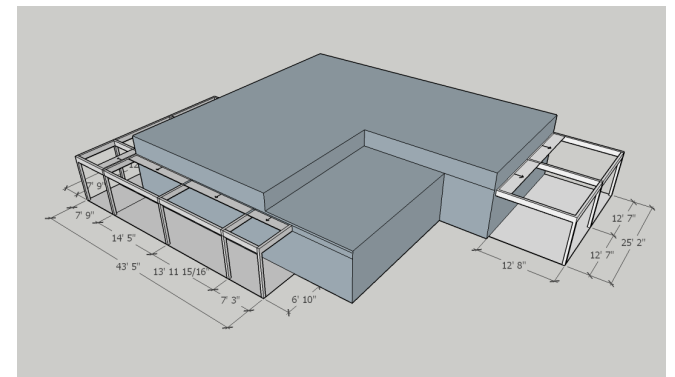
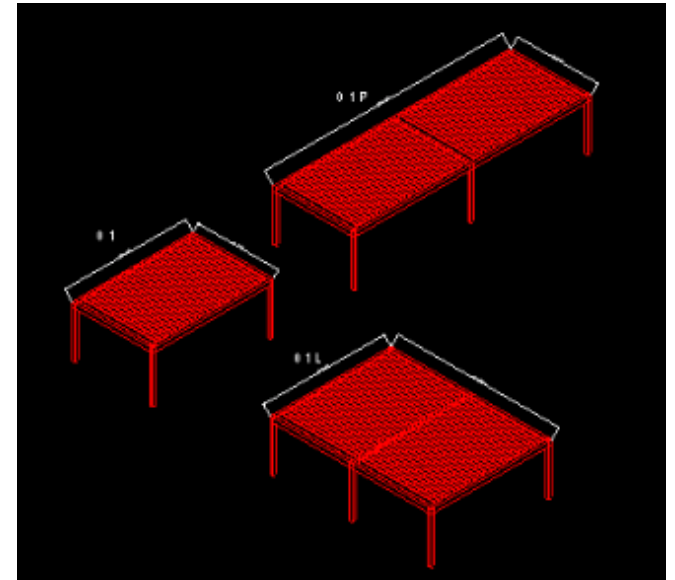
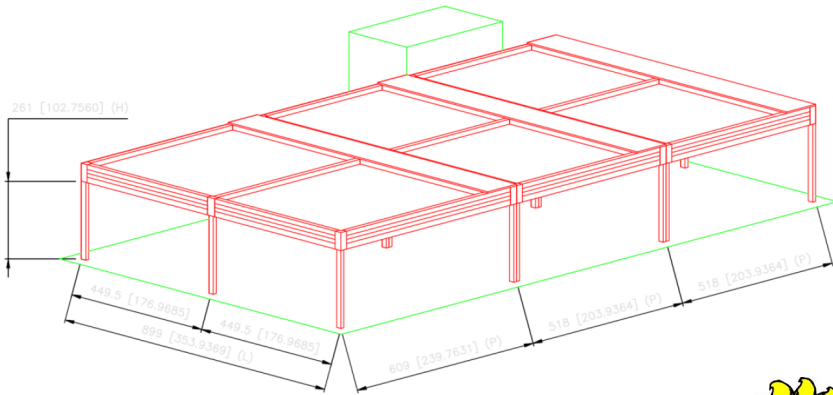
# RENDERINGS OF YOUR PROJECT: Available for a fee



# TECHNICAL DRAWINGS:

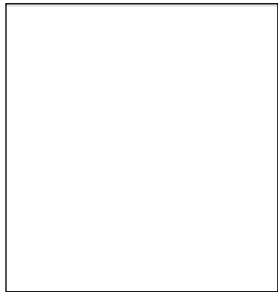


Sunair will provide DWG drawings.

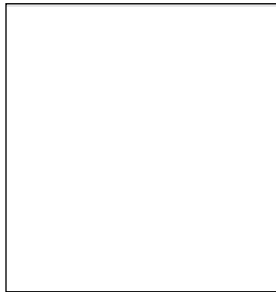




STANDARD FRAME COLORS FOR ABOVE PERGOLA MODELS:



WHITE Gloss  
Ral 9010



WHITE SAND  
Coarse Ral 9016



IVORY SAND  
Ral 1013 Coarse



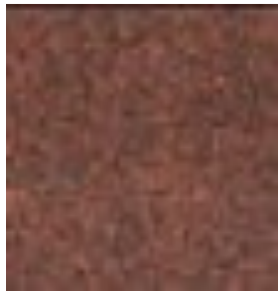
IVORY / SEMI  
Gloss Ral 1013



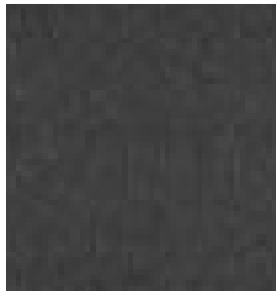
GREY SAND  
Gloss Ral 9006



BRIGHT ALUM  
Matt Ral 9006



CORTEN  
Coarse



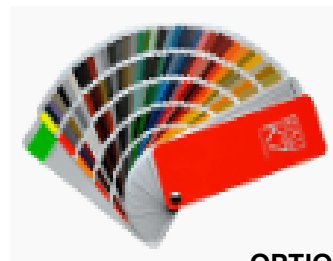
IRON GREY  
Coarse

STANDARD COLORS  
THESE MODELS ONLY



**NOTE:**

ACTUAL FRAME COLOR MAY VARY  
FROM DIGITALIMAGES



OPTIONAL

FULL RAL COLOR RANGE /  
EXTRA COST

[www.ralcolor.com](http://www.ralcolor.com)

# BRERA

## OPTIONAL 30 TIGER DRYLAC FRAME COLORS FOR ABOVE PERGOLA MODELS:

Extra cost and possible  
extra lead time.

Please conform with  
Sunair office.



### 30 TIGER COATING COLOURS CLASS 2



### **NOTE:**

*ACTUAL FRAME COLOR  
MAY VARY FROM DIGI-  
TALIMAGES*

# MOTORIZATION & AUTOMATION

ALTUS®



The Sunair BRERA PERGOLA® program features SOMFY RTS motor with an integrated radio receiver that allows you to operate the awning or screen by remote control with a wall mounted or hand held remote and by a smart phone device.

With a simple click of a button on your remote, the awning or shade will extend, retract , lower or raise automatically.

The Somfy TaHoma® gateway and smart phone app provides convenient and customized control of Somfy powered motorized shades, blinds

The BOND HOME: Bond Bridge and Bond Bridge Pro works as a bridge between Wi-Fi and your remotes recorded signal allowing you to operate your Sunair shades, awnings, pergolas, ceiling fans, fireplaces and more with the Bond app. Works with Somfy and other motor manufactur-



# SOMFY REMOTES:



Telis 1 & 4 RTS  
Hand-held Remotes



Situo 1 & 4 hand  
held remotes

One (1) through (16) channel hand held or wall mounted remotes are available. Remotes are available in different colors to suit your style, please inquire.



Telis hand-held remotes offer convenient and simple operation of every type of motorized application. Channels help organize the motorized products that are operated. Single channel remotes can operate one individual product or one group of motorized products. Multiple channel remotes can handle groups of motorized products.



Telis 1 Chronis  
RTS Timer



DecoFlex WireFree™ RTS  
Wall Switches



Telis 1 Patio for  
exterior use



Smooove® 1 RTS  
Surface Mount Wall Switch



Telis 16 RTS  
Hand-held Remote



# OUR FABRIC ROOF PERGOLA® MOTORS

Sunair uses Somfy motors and controls for their Pergola awnings

**Altus 550 Series: Brera P, S, and B Pergolas**



**Note:** Motor type used will depend on the model, size and projection of the unit.

	530	550	660
Torque	30 Nm	50 Nm	60 Nm (530 in. lbs.)
Nominal Voltage			120V / 60Hz
Rated Current	1.5A	2.1A	2.5A
Speed	14 rpm	14 rpm	14 rpm

## All Somfy Motors are UL and CSA Recognized

- All SOMFY motors are UL Recognized and can be found under the following file numbers:

E60495, E60888, E63714



## Type of power cable

**RTS**  
120V AC / 60Hz  
3 conductor cable



white = neutral  
black = hot  
green = ground



### Radio Technology Somfy

Radio Technology Somfy® (RTS) allows wireless radio control of motorized applications via the RTS family of controls.

# Somfy motor sensors:



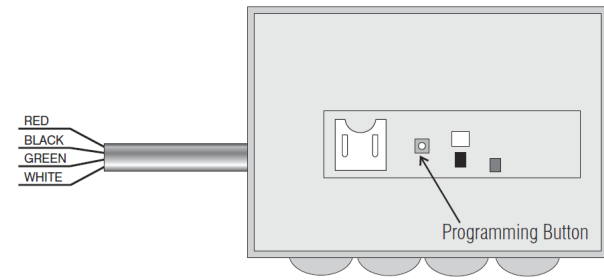
**SOLIRIS RTS 24V KIT**  
**Sun & Wind Sensor**

The Soliris RTS Sun and Wind Sensor automatically controls your RTS motorized products based on current weather conditions.



**ONDEIS® WIREFREE**  
**Sun & Rain Sensor**

The Rain Sensor is a solar-powered combined rain and sun sensor compatible with Radio Technology Somfy® motorized exterior products, including awnings and screens.



## DRY CONTACT INPUT RTS TRANSMITTER

Dry Contact to RTS interface can be used to communicate between home automation or other third party systems like fire alarms to retract screens in an emergency. Can be interfaced with a physical switch (Battery powered. Battery designed to last at least 2 years).

# Somfy TaHoma® RTS Smartphone and Tablet Interface

The Somfy TaHoma® gateway and smart phone app provides convenient and customized control of Somfy powered motorized shades, blinds, and other motorized solutions. Control up to 40 RTS (Radio Technology Somfy) channels using the TaHoma app. Multiple TaHoma devices can be joined for multi-zone control.



- North America app, you can remotely activate both Zigbee and RTS products Supports UP/DOWN/MY/STOP commands for motorized shades/blinds .
- Supports incremental control for Tilt motors and lighting ☑ Supports ON/OFF commands for control of lighting or other devices powered via the Zigbee Smart Plug Multiple users .
- Remote access Control4® Certified ☑ Integration with third-party systems over IP ☑ Compatible with Somfy Synergy™ API



TaHoma® RTS



## Bond Home / Smartphone and Tablet Interface

Bond Bridge and Bond Bridge Pro works as a bridge between Wi-Fi and your remotes recorded signal allowing you to operate your Sunair shades, awnings, pergolas, ceiling fans, fireplaces and more with the Bond app. Works with Somfy and other motor manufacturers.



### Bond Bridge

- Works with Alexa, Google Home, and SmartThings,
- Remote Control via Bond Home app
- Works with iPhone or Android
- No installation needed
- Smart home functionality without breaking the

### Bond Bridge Pro: **Added features...**

- Ethernet port & PoE technology
- Smart home integrations
- Ceiling and wall mount

### Remote control from anywhere

Be able to control everything  
even from outside your home.



### OPTIONAL:

- Sidekick for Shades: 5-channel Shade and awning

# BOND REMOTE SWITCH:

## Sidekick for Shades/Awnings: 5-channel Shade Keypad



- Wireless flush mount shade remote.
- Communicates directly with the shade.
- 10-year battery life.
- Set up shade limits – no manufacturer remote required.
- This version of Sidekick does not support Scene Keypad functionality.
- 10-year battery life.
- Install with or without a workbox (flush mount).
- 5-channel control.
- Set up shade limits – no manufacturer remote required.



# Teleco Daisy / Smartphone and Tablet Interface



The Teleco Daisy is the control system for the Louvered Linak motors and all the Teleco LED lighting on the Bioclimatic Pergolas. This Wi-Fi interface App, is programmable to remotely control all Teleco devices using a Smartphone or Tablet.

Innovative and easy to use: It is possible to program and control all installed automations, individually or in groups, to adjust the intensity/ powering on / powering off in automatic or manual mode of the lighting, to create multiple scenarios and to call them up at any time.

- Daisy lets you interact with all automated systems from anywhere in your home, even from a distance, with Smartphone or Tablet
- It's so simple to create scenes and program the weekly timer
- Remote control via Wi-Fi through the creation of a free account in the Teleco Cloud
- Possibility of connecting multiple smartphones or tablets
- Real-time feedback: verification of the status of Teleco BlueSeries devices from smartphone or tablet
- Voice control of Teleco systems using the Google Home or Amazon assistant
- Possibility of expanding the range using Wi-Fi repeaters
- Compatible with any Android (version 4.4 and later) and iOS (version 10 and later) device. We recommend installing the latest version of the operating system
- 230 V power supply unit included



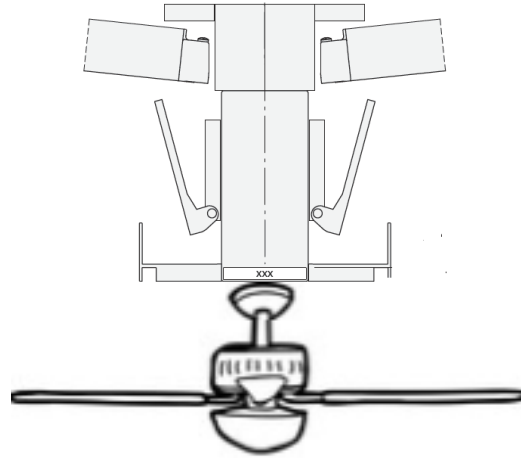
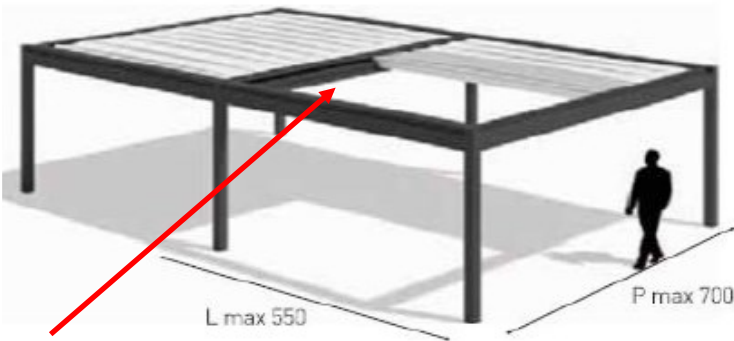
## FAN: Adding a fan to following models:

*NOMO, RIALTO, BRERA, VISION, and OPERA*

Fan not included and by customer

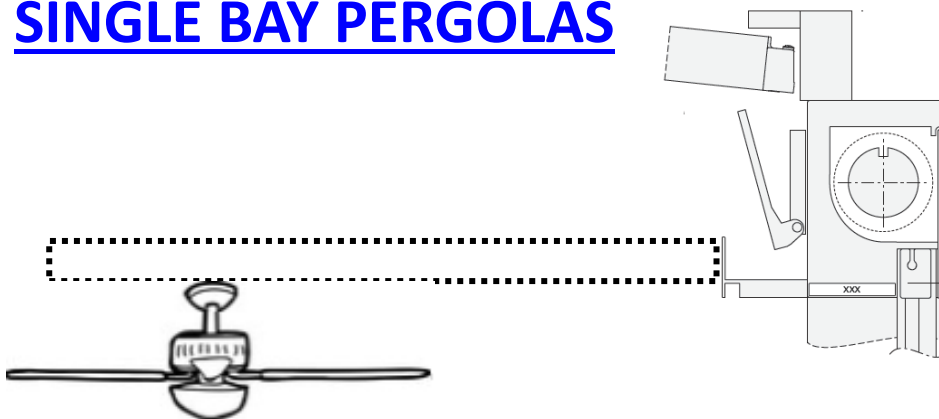


## MULTI MODULE PERGOLAS



Fan Can be mounted Here in between each module

## SINGLE BAY PERGOLAS



Mount a “Fan Bar” on the width side between gutters

Note: Max unit width 18 ft per module. Fan bar must run along the width of each module and separately wired.



**Solaira**<sup>®</sup>

**COSY**  
**SERIES**



***HEATERS COSY SERIES 1500 AW Sleek, Low clearance, infrared***

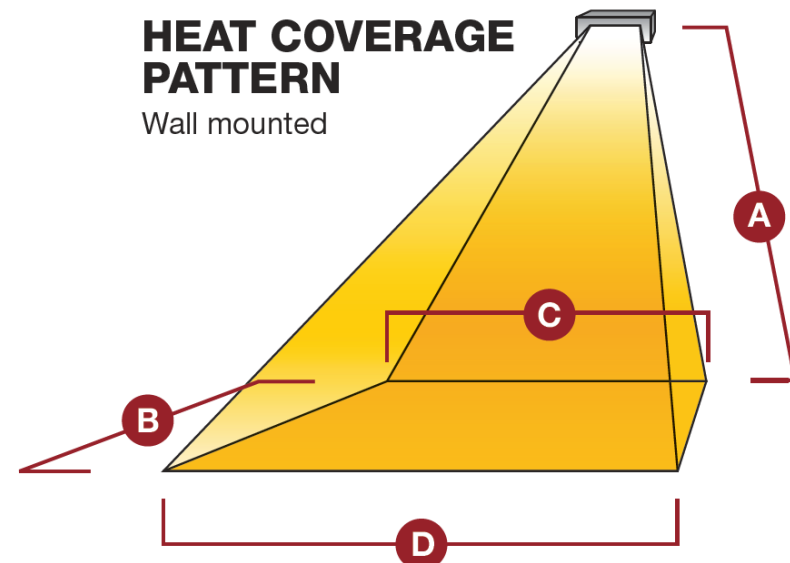
Sunair<sup>®</sup> awnings do not specify any particular brand of heaters but we do offer the Solaira brand as a convenience and as “supply” only. As supply only all warranty is per the Manufacturer (Solaira). Please see separate manufacturers installation, use, servicing and warranty documents. Mounting and wiring the heaters on the Pergola units is not included and will be the responsibility of the dealer / customer in the field during installation. Check your local codes for correct wiring instructions. All heaters should be installed by a certified electrician to local state electrical codes. See separate manufacturer’s data sheet and wiring instructions. If you purchase your own heaters, make sure that the heater brand and model you chose can be installed within the pergola unit to code. Aluminum Brackets to install the heaters on the awning are sold separately. Note: Sunair<sup>®</sup> awnings can only make suggestions but will not be responsible or warranty the performance and the effectiveness of the heaters. Check with the manufacturer of the heaters for the recommended number of heaters for your application and best installation position of the heater for best results.

Con’t next page



# Solaria Heaters con't

**Note: Specifier / Customer must contact Solaira directly for recommended heater number and location.**



## HEAT COVERAGE EXAMPLES

Model	A	B	C	D	Heat Zone*	Heat Density*
SCOSYAW15120 B/W	6'7"	8'	8'	10'	70 SQ FT	18 WATTS/SQ. FT
SCOSYAW15240 B/W	6'7"	8'	8'	10'	70 SQ FT	18 WATTS/SQ. FT

\* Heat Zone and actual heat density will vary based on mounting height and angle of heater (Overhead mounted heat zones will be different then this guide). Please use this as a guideline only and contact Solaira for a more detailed specifier guide.

\* Heat Zone and actual heat density will vary based on mounting height and angle of heater (Overhead mounted zones will be different than this guide). Please use this as a guideline only and contact Solaira for a more detailed specifier guide.

Con't next page

## Solaria COZY Series Heaters con't

### 240 VOLT: 1.5Kw 208 - 240 V

Heater Model Black # SCOSYAW15240B Ral:9005

Heater Model White # SCOSYAW15240W Ral:9010

Controller #SPASCR90

One controller will operate up to 12 heaters

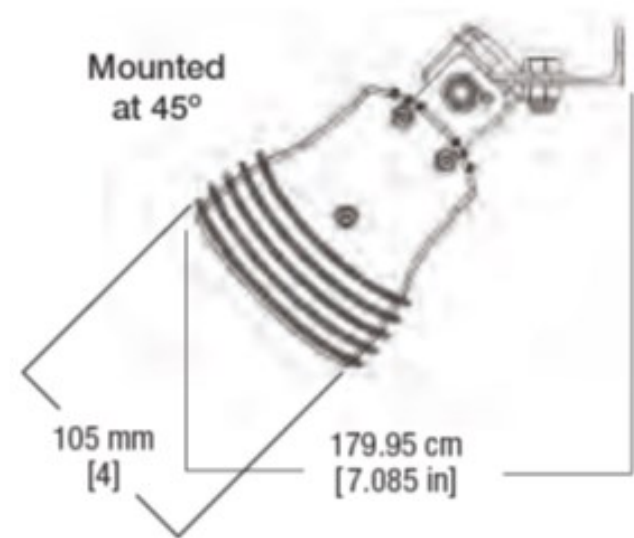
### 110 VOLT: 1.5Kw 120V

Heater Model Black # SCOSYAW15120B Ral: 9005

Heater Model White # SCOSYAW15120W Ral:9010

Controller #SPASCR90

One controller will operate up to 7 heaters



#### NOTE:

Maximum 7 ea. 110 volt heaters can be used per controller.

Maximum 12 ea. 240 volt heaters can be used per controller.



aura™

# INFRARED PATIO HEATER

ADVANCED LOW-LIGHT,  
LOW-GLARE CARBON FIBER  
EMITTER TECHNOLOGY



IP65 rated  
water resistant

AVAILABLE IN TWO MODELS

**CF3000** 3000W, 240V

**CF1500** 1500W, 120V

- Adjustable wall and ceiling mounting brackets included\*
- Durable extruded aluminum construction
- Virtually maintenance-free
- Instant heat, warm ambient glow
- Safe and odorless



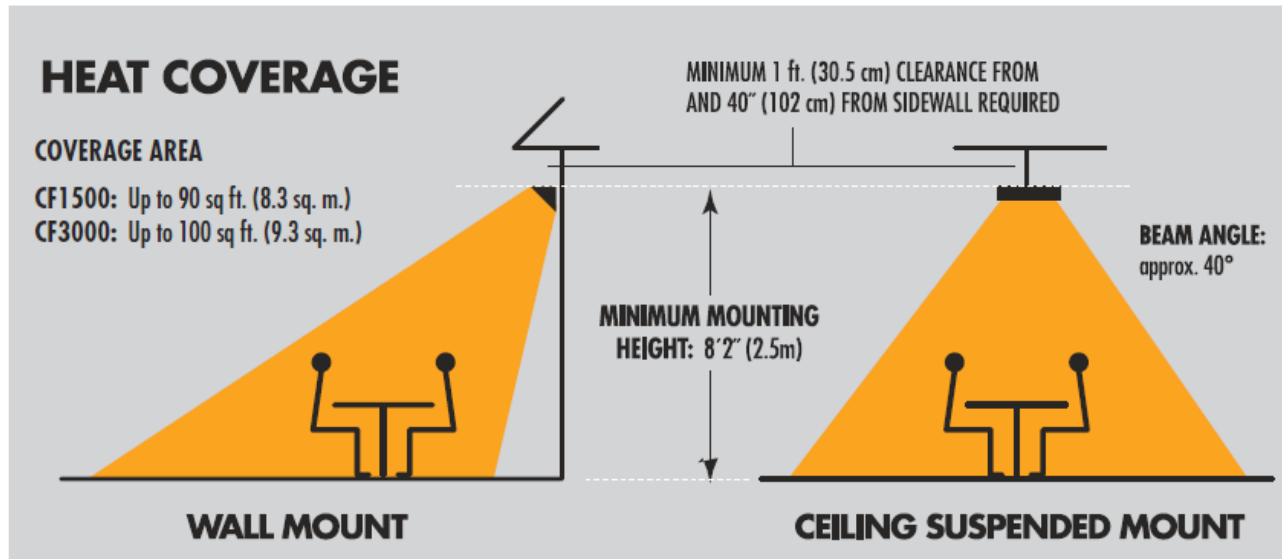
Includes convenient  
remote control



Wall and ceiling  
brackets included\*

AURA CF3000 Carbon 3000W BLACK 208 - 240 VOLT: **Model # CF302408**

AURA CF1500 Carbon 1500W BLACK 120 VOLT: **Model # CF151208**



**Note:**

**Specifier / Customer must contact Solaira directly for recommended heater number and location.**

## CARBON FIBER EMITTER

Aura Carbon Fiber emitter lamps are manufactured with extremely strong and lightweight woven carbon fibers. When energized, the carbon fiber produces a soft, ultra-fast warming medium/short wave infrared, radiant heat.

\*Heat Zone and actual heat density will vary based on mounting height and angle of heater (Overhead mounted zones will be different than this guide). Please use this as a guideline only and contact Solaira for a more detailed specifier guide.

## REMOTE CONTROL



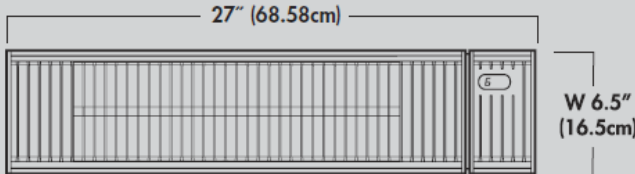
**RANGE:** UP TO 19.5 ft. (6 m)  
**INCLUDES ON/OFF BUTTONS WITH 6 HEAT SETTINGS:**  
**33% - 50% - 66%**  
**80% - 88% - 100%**



REQUIRES 2x AAA,  
 1, 5V NOT INCLUDED

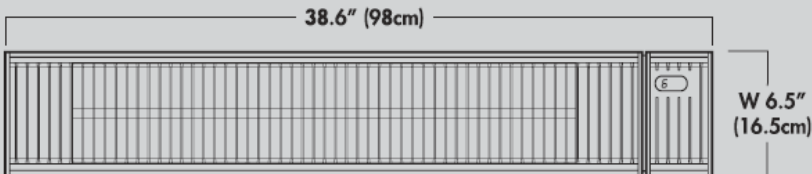
### CF1500

WEIGHT: 10lbs (4.5kgs)



### CF3000

WEIGHT: 14.3 lbs. (6.5 kg)



**RoHS**  
 COMPLIANT

**IP65**  
 DUST, RAIN, WATER-JET PROOF  
 ÉTANÇHE À LA POUSSIERE, À LA PLUIE ET AUX JETS D'EAU  
 POLVO, LLUVIA, PRUEBA DE AGUA-JET

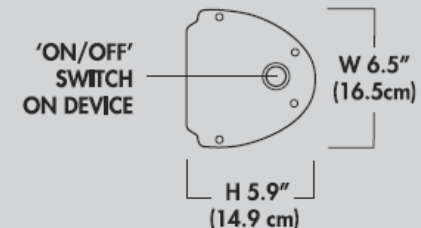
\* affixing hardware (screws/bolts/wall anchors not included and to be supplied by installer to suit application)

The AURA heaters is a more economical heater that simply plugs in to an outlet (110 volt version). This heater does not require a control box. The remote control is included in the price. Simply aim the remote towards the heater and you can custom set the heat from 1 - 6 on heat scale.

## SPECIFICATIONS

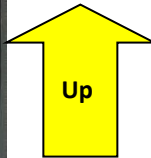
EXTRUDED ALUMINUM CONSTRUCTION

**INCLUDES:** CEILING AND WALL MOUNT BRACKETS\*, REMOTE CONTROL, 12 ft. (4.87 m) OF cETLus APPROVED, OUTDOOR RATED CABLE



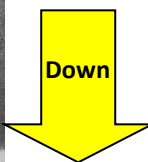


# UP & DOWN Glass Walls Options



*The Up & Down model is made up of two sections, one stationary and one mobile. A simple key is used to lock and release the module. To raise, release window with the key and the spring loaded module will slowly rise on its own.*

*Standard and custom widths available.*



**The Up and Down model of our glass window dividers can be customized to match your color scheme or even display your logo! The base aluminum colors are White and Iron Grey colors. Virtually any color and design graphic motifs can be added to the glass to showcase your restaurant's unique style. Other models are also available.**





# Installations





## SET FLOORING :

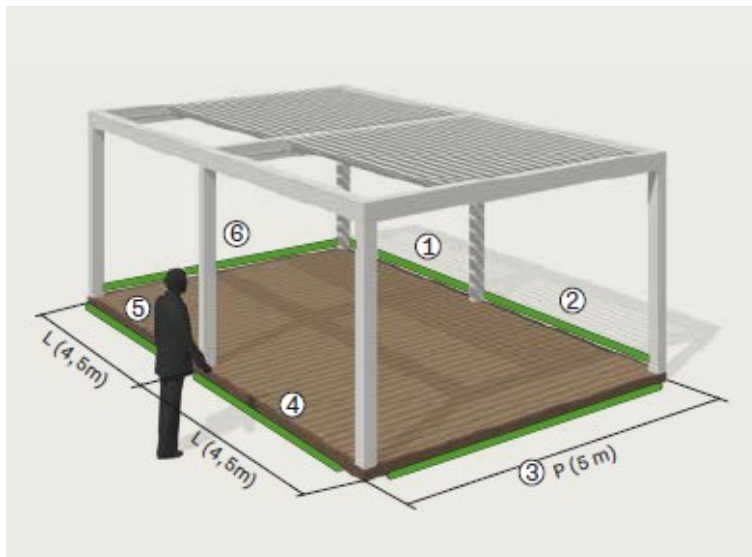


### PRODUCT FEATURES:

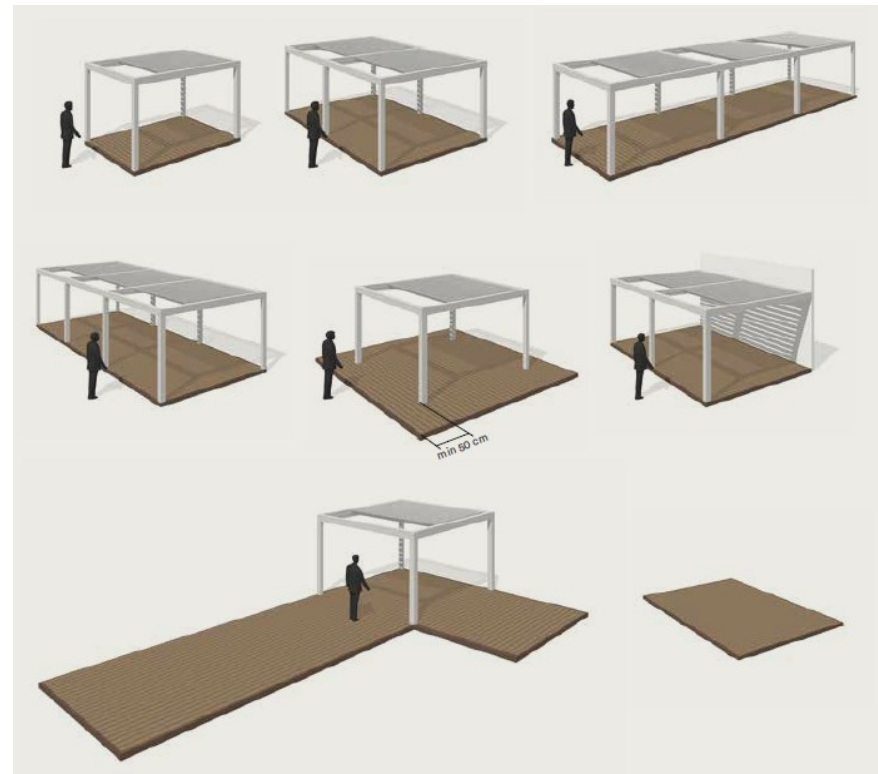
- Platform decking designed to be integrated with Bioclimatic Pergolas like Opera, Vision, Brera, Nomo, and Rialto.
- Sits on an existing supported concrete floor.
- Made to fit Pergola awning system.
- Assembled in place.
- Can be fitted with different flooring types.



# SET FLOORING cont'

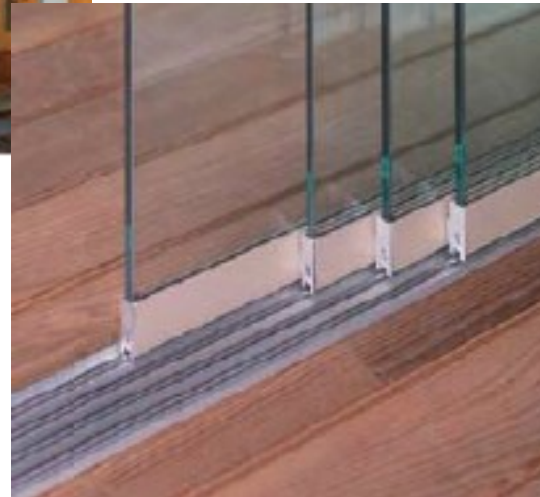
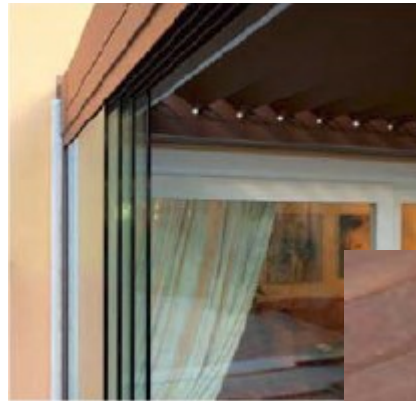


OPTIONAL: LED Lighting added

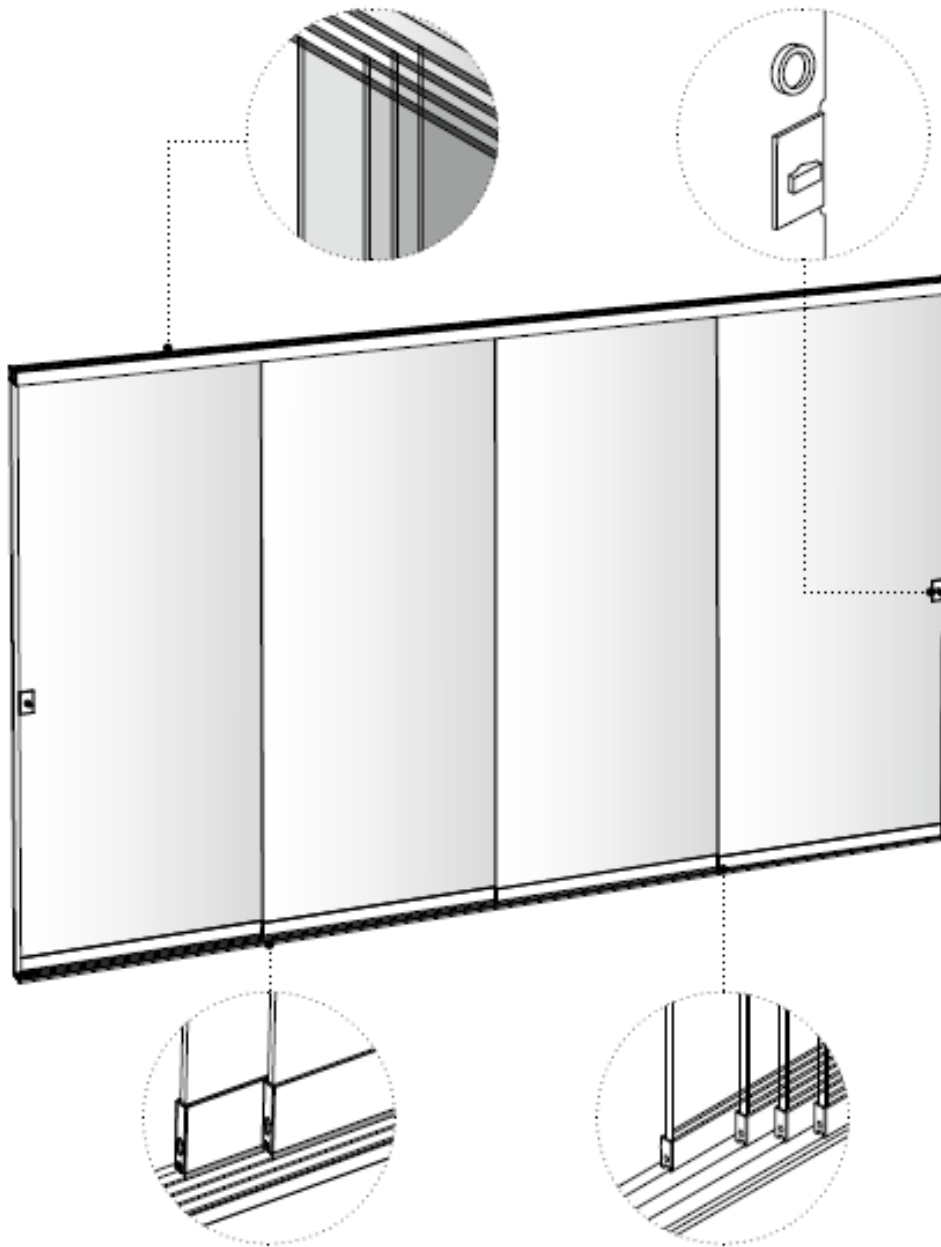




# SLIDE GLASS Options for Pergolas:



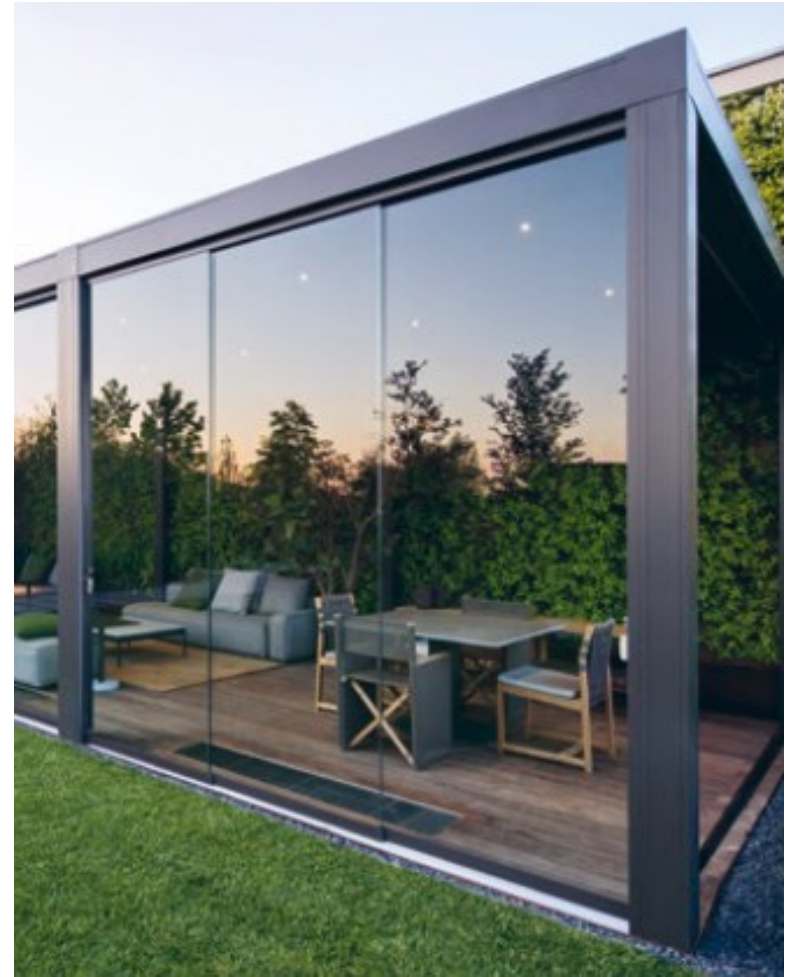
## PRODUCT FEATURES:



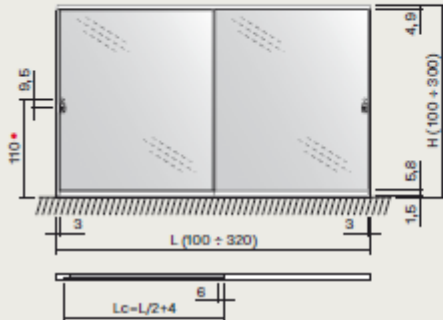
- Glass Panels with aluminum frame.
- Ideal for Bioclimatic Pergola (Rialto, Vision, and Brera S).
- Can be installed along with Raso screens on Nomo, Opera, and Brera P Pergolas also.
- Extruded aluminum Profiles.
- Stainless steel handles.
- Stainless steel trolleys with ball bearings.
- Tempered Glass 10 mm thick weighs 25 Kg. / sq./meter.
- Tempered Glass 12 mm thick weighs 30 Kg. / sq./meter.
- Two, Three, or Four way sections.
- Max Length 700cm depending on number of glass sections.
- 10mm glass available up to 250 cm High doors.
- 12mm glass available from 260 cm to 300 cm high doors.
- Lead time is longer if slide glass is added.



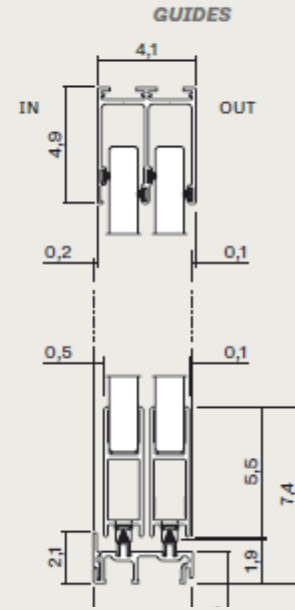
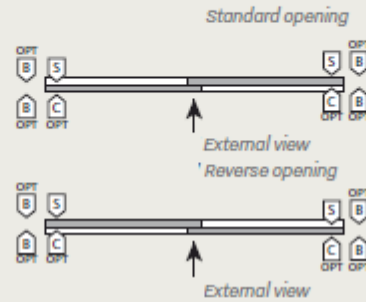
# More Installations



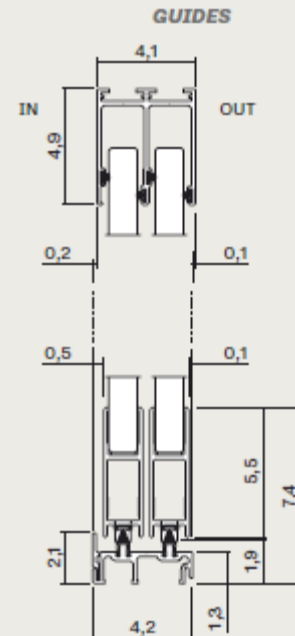
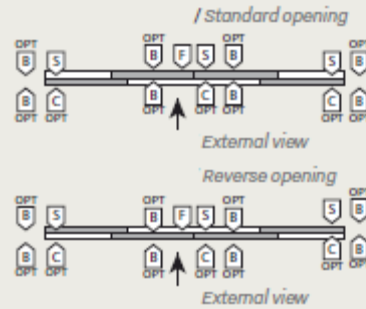
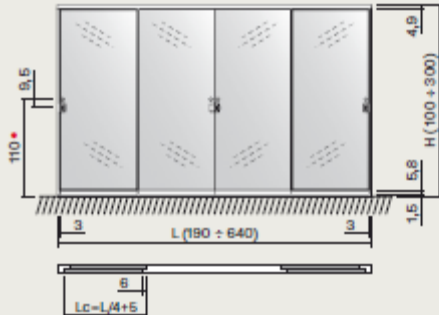
## 2 ways - 2 doors



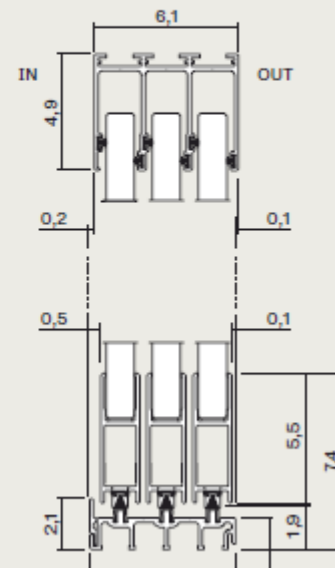
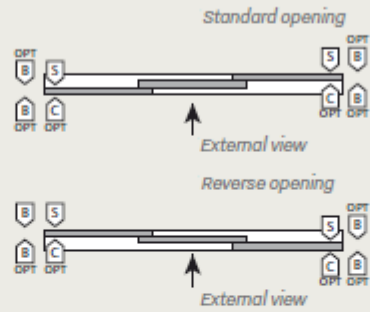
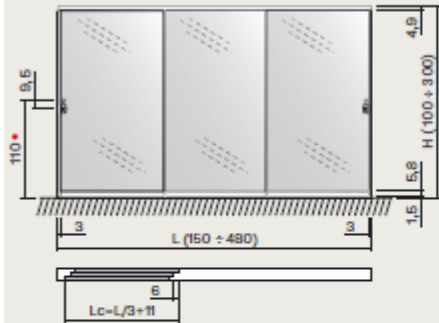
H standard of the closing "S" handle (min. H 25 cm)



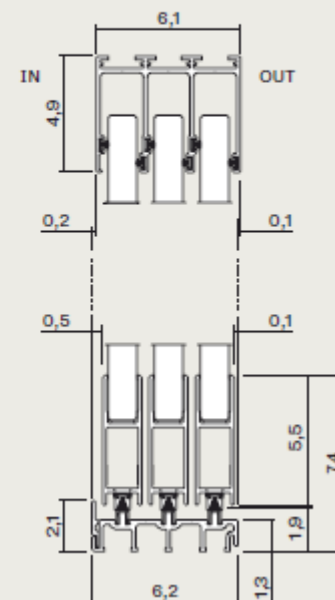
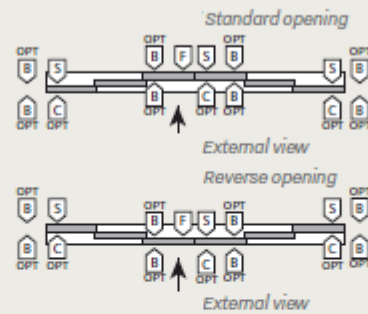
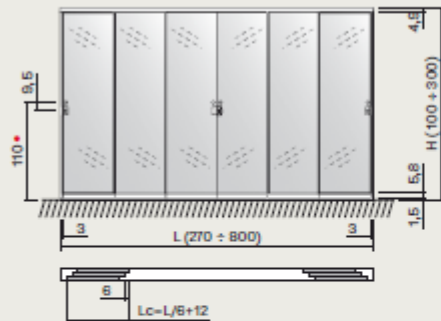
## 2 ways - 4 doors



### 3 ways - 3 doors

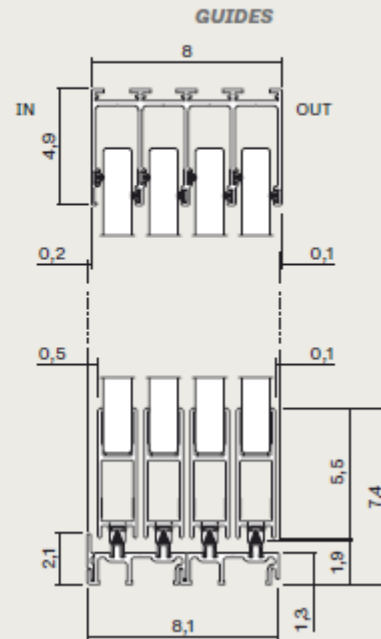
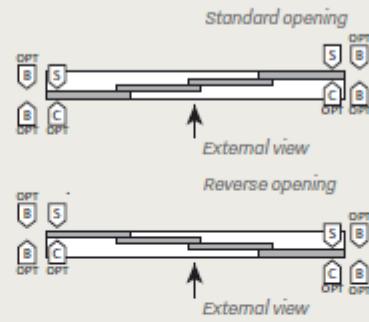
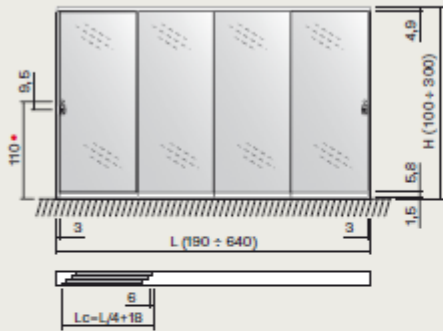


### 3 ways - 6 doors

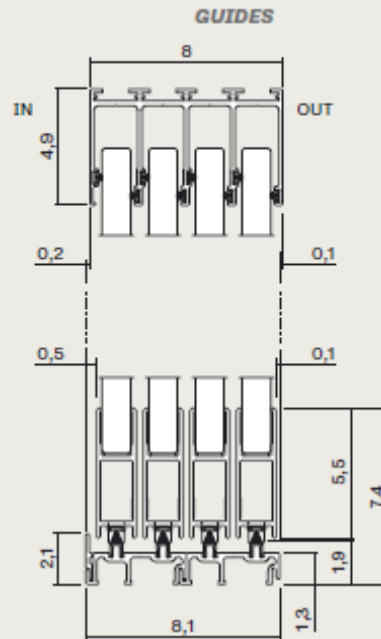
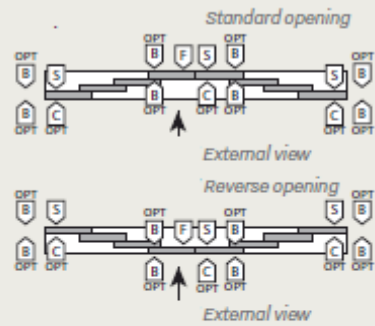
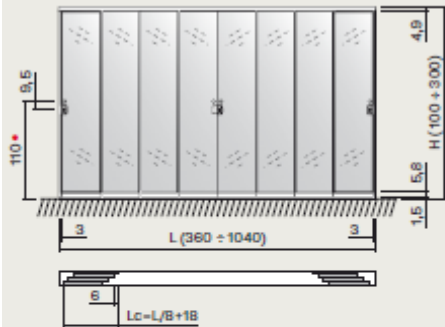




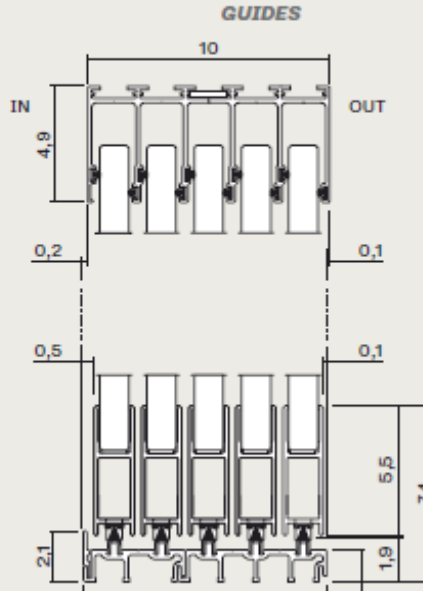
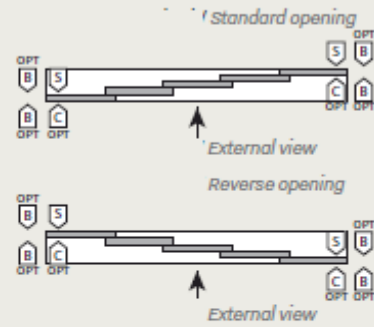
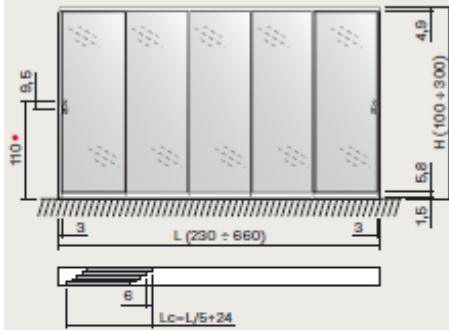
## 4 ways - 4 doors



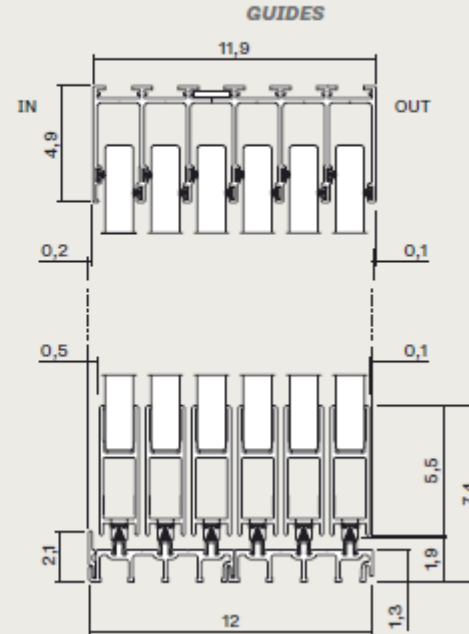
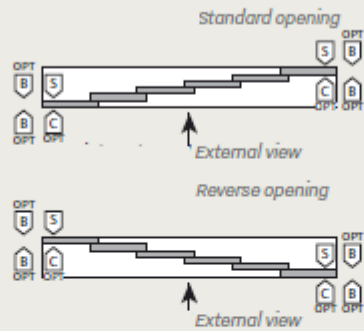
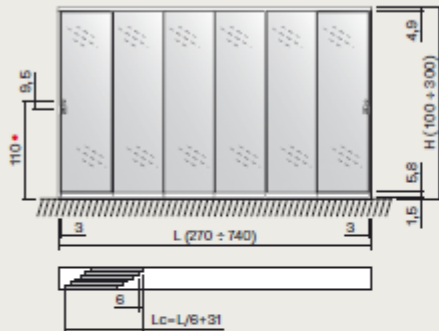
## 4 ways - 8 doors



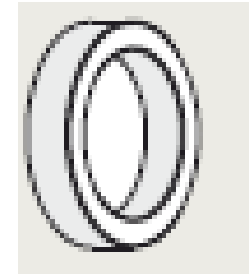
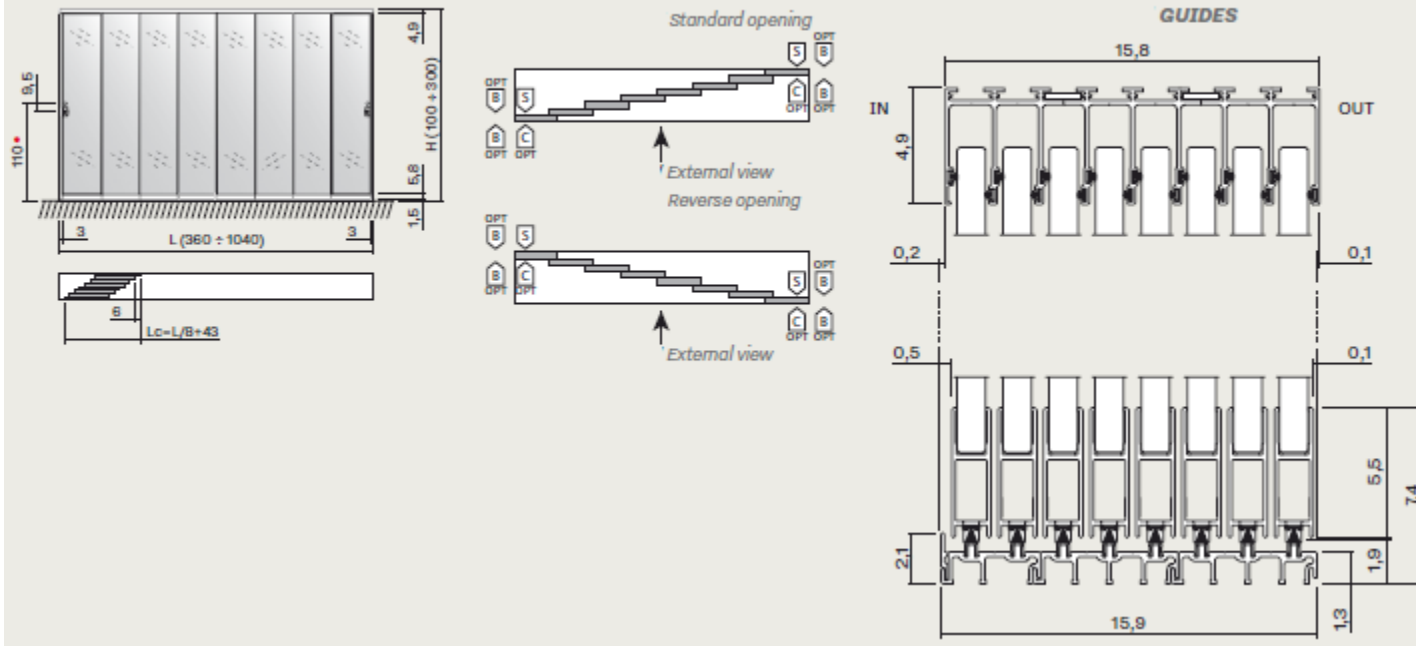
## 5 ways - 5 doors



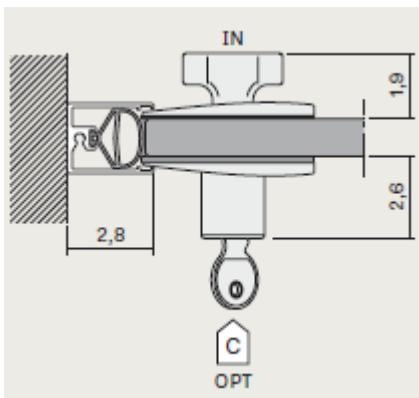
## 6 ways - 6 doors



## 8 ways - 8 doors



**Driving Handle Disk**

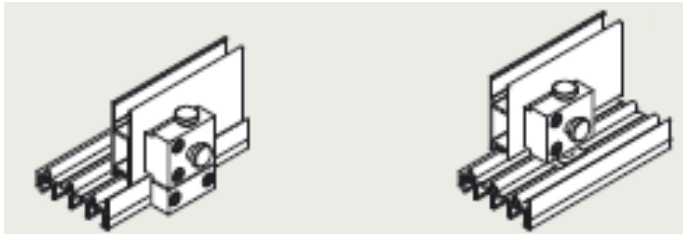


### **External Key Locks**

**Not compatible with Raso Screens.**

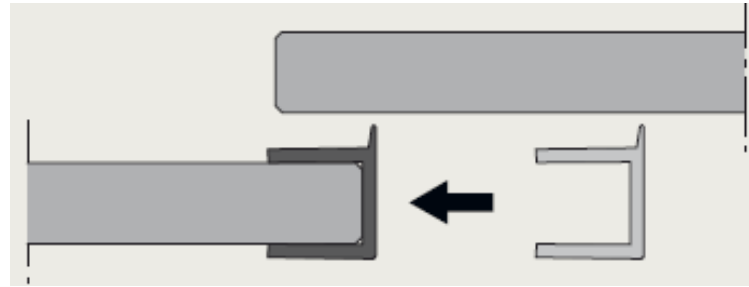
**Each Lock has a key.**

Door stop on bottom of floor track



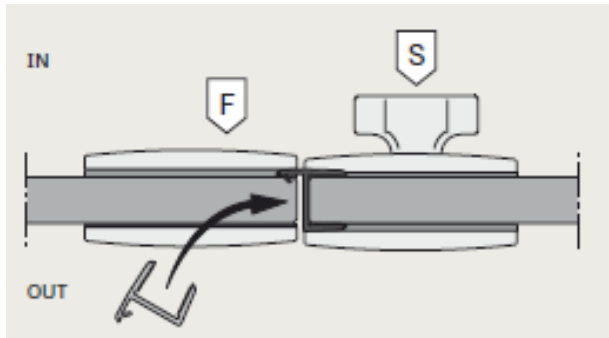
Guide side installation

Installation between Tracks



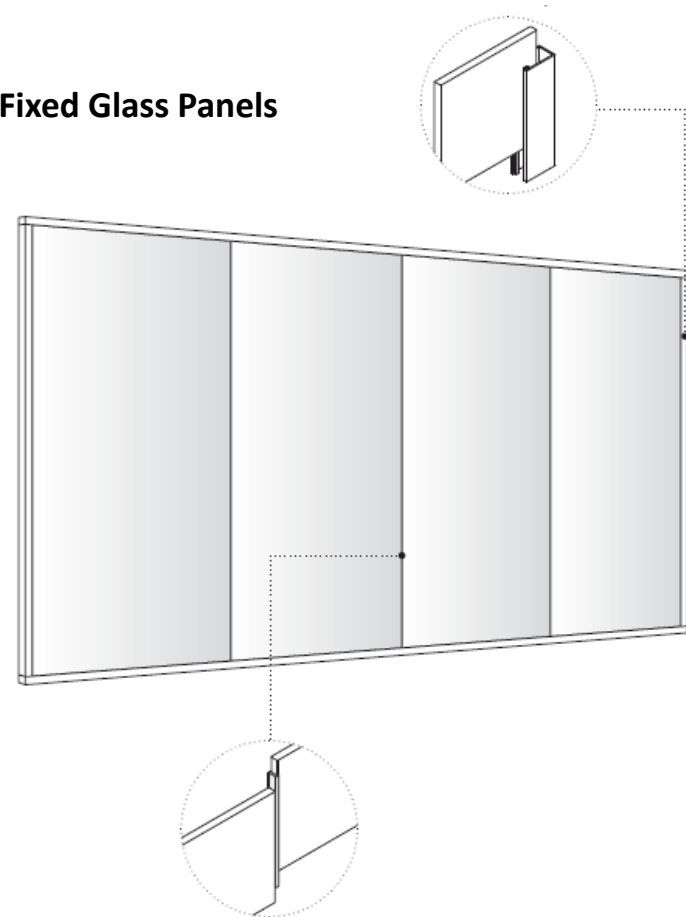
Vertical Gasket Seal:

For overlapping Doors



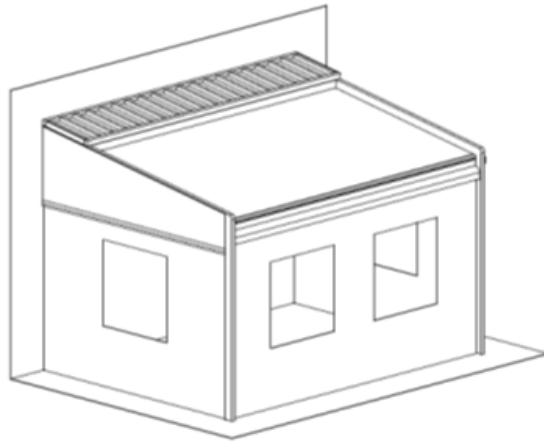
Door Seal

Optional Fixed Glass Panels



NOTES:

**Note: Sunair® reserves the right to change engineering, specifications and prices without notice. Images and Illustrations in the catalog may vary from digital and printed manuals. Sunair® is not responsible for printed inaccuracies in this manual.**



***SUNPROOFING AMERICA!***



### **MARYLAND LOCATION**

Mailing: P.O. Box 1068  
Shipping: 7785 Rt. 175  
Jessup, MD 20794

**Toll Free    800 - 548 - 0408**  
**Phone:        410 - 799 - 1145**  
**Fax:            410 - 799 - 5584**

### **ARIZONA LOCATION**

Mailing: Same as Jessup  
Shipping: 3807 West Thomas Rd.  
Phoenix, AZ 85017

**Toll Free    877 - 272 - 3920**  
**Phone:        602 - 272 - 3920**  
**Fax:            602 - 272 - 3925**

[www.sunairawnings.com](http://www.sunairawnings.com)

[info@sunairawnings.com](mailto:info@sunairawnings.com)